

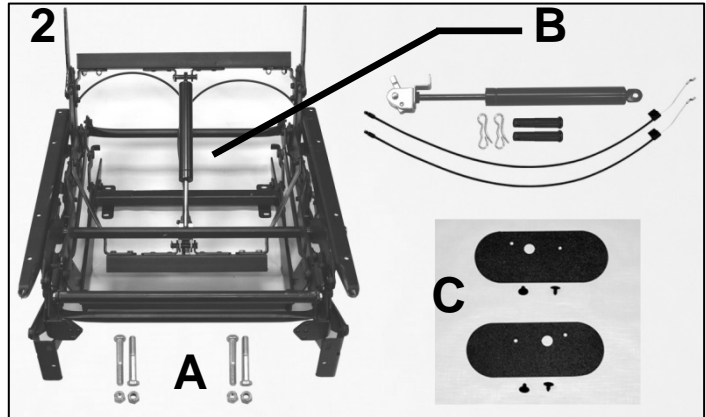
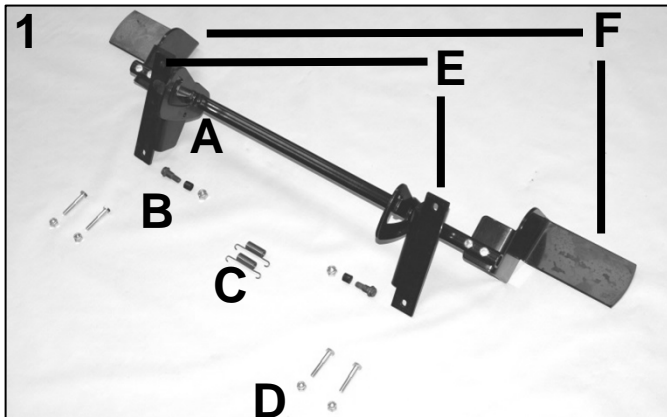


PARTS LIST

| Image Number | Note | Part Number | Description | QTY per Product |
|--------------|------|----------------|--|-----------------|
| 1 | A | 400620 | CASTER, NYLON 5" RIGID, BLACK | 2 |
| 1 | B | 400625 | CASTER, NYLON 5" TOTAL LOCK W/PRECISION BEARING WHEEL, BLACK | 2 |
| 1 | A | 566400 | BOLT-CARRIAGE ZINC 1/4-20 X 1 1/4 | 2 |
| 1 | B | 566399 | BOLT-CARRIAGE BLACK ZINC 1/4-20 X 1 1/4 | 2 |
| 1 | | 566204 | NUT-1/4-20 HEX NYLON LOCKNUT ZINC | 4 |
| 2 | | 206240 | SWING-ARM 180 MAIN FRAME (624 STYLE) | 1 |
| 2A | C | 501830 | CONDUIT CLAMP W/DIMPLES .219 | SEE NOTES |
| 2B | | 202820K | ROTARY LATCH RIGHT SWING-ARM KIT (624 STYLE) | 1 |
| 2C | | 206150RB | SUPPORT BRACKET, UNDER-ARM, RIGHT, BLACK | 1 |
| 2D | | 566592 | 1/4-20 X .88 SOCKET BUTTON HEAD CAP SCREW, ZINC | 2 |
| 2D | | 566301 | WASHER-1/4 INT. TOOTH LOCKWASHER ZINC | 2 |
| 2E | | 202825K | ROTARY LATCH LEFT SWING-ARM KIT (624 STYLE) | 1 |
| 2F | | 206150LB | SUPPORT BRACKET, UNDER-ARM, LEFT, BLACK | 1 |
| 2G | | 566592 | 1/4-20 X .88 SOCKET BUTTON HEAD CAP SCREW, ZINC | 2 |
| 2G | | 566301 | WASHER-1/4 INT. TOOTH LOCKWASHER ZINC | 2 |

NOTES

| Note | Description |
|------|--|
| A | The front casters are installed using 566400 screws |
| B | The rear casters are installed using 566401 screws |
| C | Chairs w/ Heat & Massage option have (1) 501830 and (1) 501820 (not listed). Standard chairs have (2) 501830 <i>Left & Right is determined - as if sitting in the chair</i> |



PARTS LIST

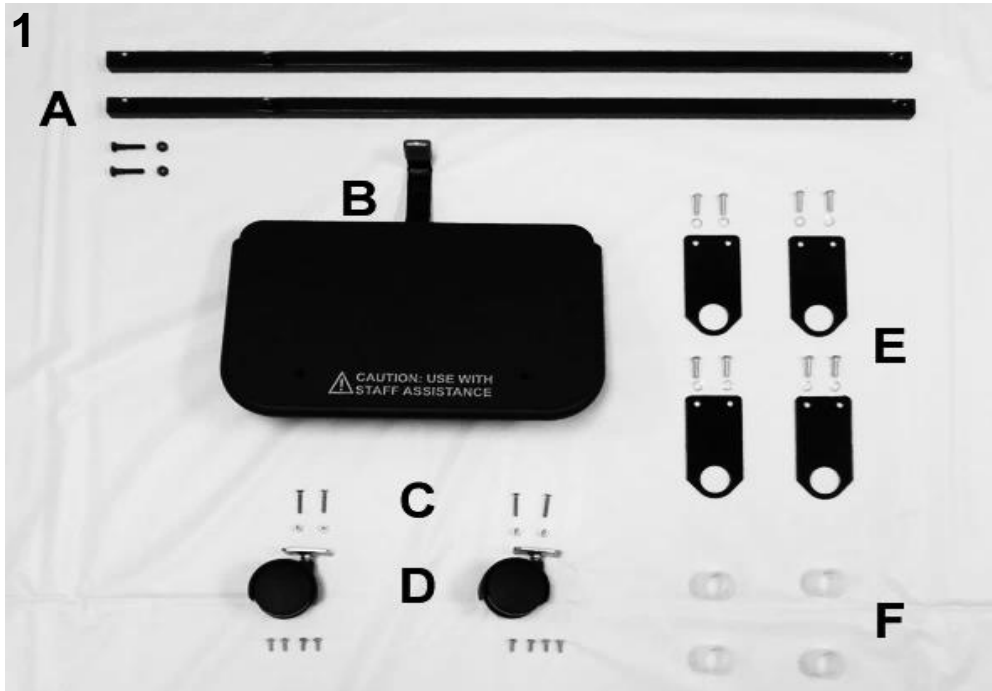
| Image Number | Note | Part Number | Description | QTY per Product |
|--------------|-------|----------------|---|-----------------|
| 1 | | 206110K | 624 TRENDELENBURG RELEASE LEVER ASSEMBLY KIT | 1 |
| 1A | A | 400628 | TILT TUBE WELD ASSEMBLY, 624 MECH | 1 |
| 1A | A | 700140 | HANDLE BUSHING, 624 MECH | 2 |
| 1B | B | 506110 | SHOULDER BOLT, 5/16-18 HEX 3/8-.43, 624 MECH | 2 |
| 1B | B | 700624 | SOFT STOP SLEEVE, 624 MECH | 2 |
| 1B | B | 566205 | NUT-5/16-18 HEX NYLON LOCK NUT ZINC | 2 |
| 1C | B | 407305 | PEDEL RETURN SPRING, 624 MECH | 2 |
| 1D | B,C | 566583 | SCREW, HEX CAP 1/4-20 X 1 1/2" GRADE 5, ZINC | 4 |
| 1D | B,C,D | 566204 | NUT-1/4-20 HEX NYLON LOCKNUT ZINC | 8 |
| 1E | A | 400629L | TREND PEDAL BRACKET LEFT, 624 MECH | 1 |
| 1E | A | 400629R | TREND PEDAL BRACKET RT, 624 MECH | 1 |
| 1F | B | 406110L | FOOT RELEASE LEVER, TRENDELENBURG, LEFT | 1 |
| 1F | B | 406110R | FOOT RELEASE LEVER, TRENDELENBURG, RIGHT | 1 |
| 1F | B,D | 566407 | BOLT-1/4-20 X 1 1/4 HEX CAP SCREW GR 5 ZINC | 4 |
| N/A | B | 000150 | LABEL DECAL, TRENDELENBURG FOOT RELEASE | 2 |
| 2 | | 200624K | 624 MECH REPLACEMENT KIT | 1 |
| 2 | B | 400624 | MECH 24" W/ TRENDELENBERG (624 STYLE) | 1 |
| 2A | B | 566583 | SCREW, HEX CAP 1/4-20 X 1 1/2" GRADE 5, ZINC | 4 |
| 2A | B | 566204 | NUT-1/4-20 HEX NYLON LOCKNUT ZINC | 4 |
| 2B | B | 205624K | 624 GAS SPRING W/OPERATOR ASSM'D& ADJ'D KIT | 1 |
| 2B | B | 403624 | GAS BACK CABLE, 624 MECH | 2 |
| 2B | B | 506015 | CLEVIS PIN, 3/8 x 1-7/8, 624 MECH | 2 |
| 2B | B | 566002 | BOW TIE COTTER PIN .072 | 2 |
| N/A | B | 566001 | TIE-CABLE , 14.5 BLACK | 1 |
| 2C | | 260100L | SAFETY SHEILD, PLASTIC, (624 STYLE) LEFT | 1 |
| 2C | | 260100R | SAFETY SHEILD, PLASTIC, (624 STYLE) RIGHT | 1 |
| 2C | | 700901 | PANEL RETAINER, BLK NYLON .25" H x .375" PT x .700 HD | 4 |
| N/A | E | 400631 | SPRING MEDICAL MECH. | 2 |
| NOTES | | | SEE NEXT PAGE FOR IMPORTANT NOTES | |



| | | |
|--------|---|-------------------------------------|
| Title: | Inverness 24-Hour Treatment Recliner Parts List | Page 3 of 8 |
| | PL-6240 | Effective Date: 06/13/18 Rev. 07 |

NOTES

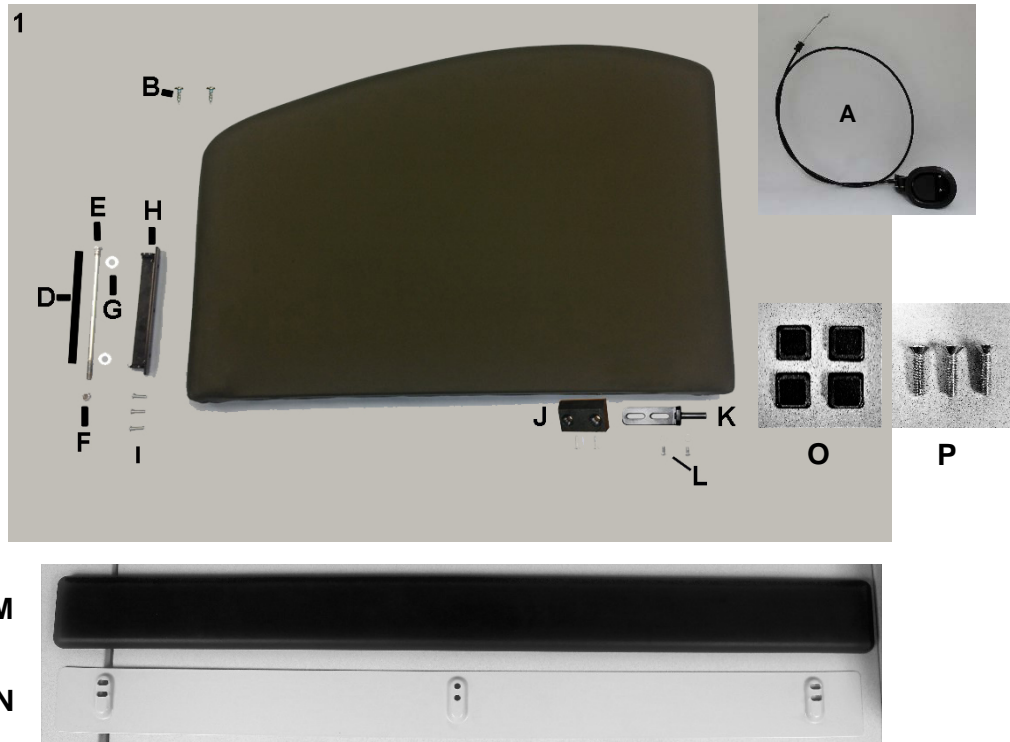
| Note | Description |
|------|--|
| A | Part is included with above listed KIT - It is NOT recommended that they be sold separate - In some cases they can be. |
| B | Part is included with above listed KIT & can be ordered as a stand-alone item |
| C | 4 used to attach assembly to mainframe & 4 to attach FOOT RELEASE LEVER to TILT TUBE ASSM. |
| D | 4 to attach FOOT RELEASE LEVER to TILT TUBE ASSM. |
| E | Heavy Duty Spring to replace standard spring in the Mechanism. |
| | <i>Left & Right is determined - as if sitting in the chair</i> |



PARTS LIST

| Image Number | Note | Part Number | Description | QTY per Product |
|--------------|------|-------------------|--|-----------------|
| 1 | | 206280TK | 624 TEXTURED FOOTPLATE ASSEMBLY COMPLETE, KIT | 1 |
| 1A | | 206275 | FOOTREST TUBE (624 STYLE) | 2 |
| 1A | | 566415 | BOLT- HEX 1/4-20 X 1 1/4, GRADE 5, BLACK FINISH | 2 |
| 1A | | 566223 | 1/4-20 LOCK-LOCK, BLACK FINISH | 2 |
| 1B | A | 206280K | 624 TEXTURED FOOTPLATE KIT | 1 |
| 1B | A | 206280T | WELDED FOOTPLATE W/EDGE BORDER - TEXTURED | 1 |
| 1B | A | 206285B | WELDED, FOOTPLATE LOCK LEVER, BLACK | 1 |
| 1B | C | 700890 | CAP, FLAT RECTANGULAR , GRAY, .25" X 1" | 2 |
| 1B | A,B | 566548 | SCREW 3/8 X 2 IMPORT ZINC SKT SHOULDER SCREW | 1 |
| 1B | A,B | 566205 | NUT-5/16-18 HEX NYLON LOCK NUT ZINC | 1 |
| 1B | A,B | WA-FL-NY-38-63-12 | SPACER-NYLON .38 ID X .63 OD X .12 THK | 2 |
| 1C | | 566601 | 10-24 X 1.25" FLATHEAD PHILLIPS SCREW 18-8 SS | 4 |
| 1C | | 566203 | NUT-10-24 HEX NYLON LOCK NUT ZINC | 4 |
| 1D | | 400150 | TWIN WHEEL CASTERS | 2 |
| 1D | | 566510 | SCREW-MACH 10-24 X 1/2 PAN PHIL MACHINE SCREW | 8 |
| 1E | | 206120B | BRACKET, FOOT SUPPORT TUBE , BLACK | 4 |
| 1E | | 566592 | 1/4-20 X .88 SOCKET BUTTON HEAD CAP SCREW, ZINC | 8 |
| 1E | | 566301 | WASHER-1/4 INT. TOOTH LOCKWASHER ZINC | 8 |
| 1F | | 200930 | BUSHING NYLON, BROACHED | 4 |

| Note | Description |
|------|---|
| A | Part is included with above listed KIT - It is NOT recommended that they be sold separate - In special cases they can be. |
| B | This part connects the footplate lock lever to the foot plate but can not be seen in the photo provided. |
| C | Part is included with above listed KIT and CAN be ordered separately. |
| | <u>Left & Right is determined - as if sitting in the chair</u> |

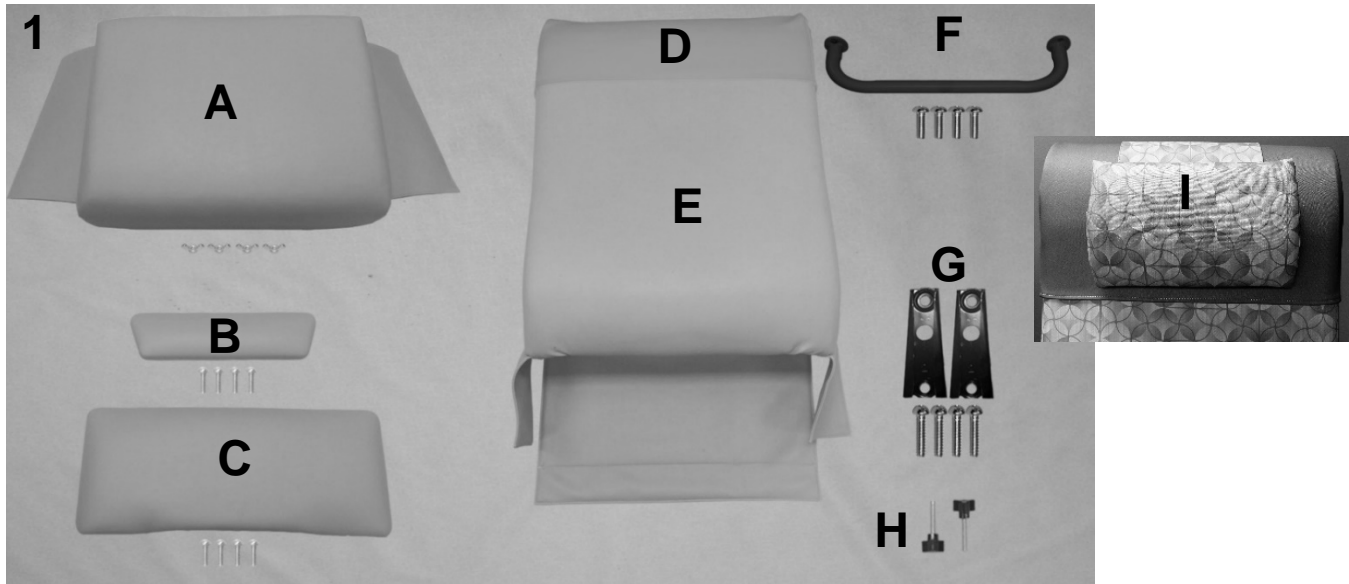


| PARTS LIST | | | | |
|--------------|------|-----------------|---|-----------------|
| Image Number | Note | Part Number | Description | QTY per Product |
| 1 | A | U0409XX | UPHOLSTERED SWING-ARM PANEL LEFT | 1 |
| 1 | A | U0509XX | UPHOLSTERED SWING-ARM PANEL RIGHT | 1 |
| 1 | A, D | U0419XX | UPHOLSTERED SWING-ARM PANEL W/ URETHANE LEFT | 1 |
| 1 | A, D | U0519XX | UPHOLSTERED SWING-ARM PANEL W/ URETHANE RIGHT | 1 |
| 1A | C | 403550 | RELEASE HANDLE W/CABLE ASSY 56" (6240) | 1 |
| 1B | C | 566547 | 10 x 1/2 Pan Phil T/S Z/P | 2 |
| 1D | | 260110 | TUBING, NYLON BOLT SLEEVE | 1 |
| 1E | B | 566602 | 3/8-16 X 9" HEX CAP SCREW, GRADE 5, ZINC SAE J429 | 1 |
| 1F | B,C | 566217 | NUT, 3/8-16 HEX NYLON LOCKNUT ZINC | 2 |
| 1G | | 566325 | WASHER, NYLON .375 ID X 1" X .062 THICK | 2 |
| 1H | C | 202175B | HINGE, ARM FRAME BRKT, 180, BLACK | 1 |
| 1I,1L | C | 566592 | 1/4-20 X .88 SOCKET BUTTON HEAD CAP SCREW, ZINC | 5 |
| 1J | C | 700620 | ARM SUPPORT BLOCK, NYLON | 1 |
| 1J | C | SC-WF-ZP-14-100 | SCREW, WD PH FL HD ZP #14 THD x 1.000 LG | 2 |
| 1K | C | 202740B | LATCH BRACKET ASSSEMBLY, PLATED, BLACK | 1 |
| 1K | C | 566301 | WASHER-1/4 INT. TOOTH LOCKWASHER ZINC | 2 |
| 1M | C, D | 708040 | URETHANE ARM COVER | 1 |
| 1N | C, D | 203692B | MOUNTING PLATE, STEEL | 1 |
| 1O | C, D | 701900 | SQ. BUMPER, .078 W/ ADHESIVE, BLACK | 4 |
| 1P | C, D | 566607 | 1/4-20 X 1" FLAT MACH SCREW, ZINC | 3 |
| NOTES | | | SEE NEXT PAGE FOR IMPORTANT NOTES | |



| | | |
|--------|---|-------------------------------------|
| Title: | Inverness 24-Hour Treatment Recliner Parts List | Page 6 of 8 |
| | PL-6240 | Effective Date: 06/13/18 Rev. 07 |

| NOTES | |
|---------|---|
| Note | Description |
| A | XX- Use color code for specific part number i.e. 02 - Royal Blue |
| B | 1C is included when ordering Arm-Panel - 1C must be ordered separate when ordering 566602 (1B) |
| C | Part is included in above listed kits - Part can be ordered seperately. |
| D | Used on "Urethane Arm Style" only. |
| OPTIONS | For replacement parts with TB133 - Add TB after Part Number i.e. U040202 TB |
| | Use 00 in place of options code if unavailable i.e. U040202 TB00 For Upholstered Back w/ TB & NO HM/HT |
| | Other Option CODES - IV =IV Pole, RO =Foley Hook, <i>Left & Right is determined - as if sitting in the chair</i> |
| | **Heat & Massage Identifiers |
| M5 | For chairs w/ heat/massage add identifier after TB option i.e. U0207XX TBXX |
| | **Heat ONLY Identifiers |
| H5 | For chairs w/ heat only add identifier after TB option i.e. U0207XX TBXX |




PARTS LIST

| Image Number | Note | Part Number | Description | QTY per Product |
|--------------|------|-------------|---|-----------------|
| 1A | A | U0312XX | 624 UPHOLSTERED SEAT W/ APRONS | 1 |
| 1A | | 566222 | 10-24 NYLON-LOCK WING NUT | 4 |
| 1B | A,B | U1204XX | 624 UPHOLSTERED OTTOMAN | 1 |
| 1B | | 566511 | SCREW-MACH 10-24 X 3/4 PAN PHIL M/S ZINC | 4 |
| 1C | A,B | U1015XX | 624 UPHOLSTERED LEGREST | 1 |
| 1C | | 566511 | SCREW-MACH 10-24 X 3/4 PAN PHIL M/S ZINC | 4 |
| 1D | | HC24-XX | 624 HEADREST COVER | 1 |
| 1E | A,D | U0221XX | 624 UPHOLSTERED BACK W/ APRONS | 1 |
| 1F | | 206270 | WELDED, PUSH HANDLE (624 STYLE) | 1 |
| 1F | | 566592 | 1/4-20 X .88 SOCKET BUTTON HEAD CAP SCREW, ZINC | 4 |
| 1G | | 407019 | KD SLEEVE/BACKET/CLIP - 624 | 2 |
| 1G | | 566603 | 1/4-20 X 2.5" HEX CAP SCREW, GRADE 5, ZINC | 4 |
| 1H | | 501230 | KNOB, PHENOLIC 1/4-20 X 1-1/2 STUD | 2 |
| 1I | A, D | NP24-XX | HEADREST COVER 6240/5001 CHAIR W/ PILLOW | 1 |

NOTES

| Note | Description |
|---------|--|
| A | XX- Use color code for specific part number i.e. 02 - Royal Blue |
| B | Screws needed to attach this product are included |
| C | Seat with Heat & Massage option will include tether and cable-ties for installation. |
| D | HEADREST COVER (1D) is a separate item & is NOT included with the uph. back when ordering |
| OPTIONS | For TB133 Add TB after Part Number i.e. U1005XXTB |
| | Use 00 in place of options code if unavailable i.e. U0301XX 00H5 For Upholstered Seat without TB w/ HT |
| | **Heat & Massage Identifiers |
| M5 | For chairs w/ heat/massage add identifier after TB option i.e. U0207XXTB XX |
| | **Heat ONLY Identifiers |
| H5 | For chairs w/ heat only add identifier after TB option i.e. U0207XXTB XX |

| | | | |
|---|--|--------------------------|-------------|
|  | Title: Inverness 24-Hour Treatment Recliner Parts List | | Page 8 of 8 |
| | PL-6240 | Effective Date: 06/13/18 | Rev. 07 |

For additional options please see: SIDE-TABLE OPTIONS PAGE, HM-HT OPTIONS PAGE, & IV POLE OPTIONS PAGE

Revision History

| REV | Effective Date | CCR Number | Description of Change |
|-----|----------------|------------|---|
| 01 | 03/17/17 | ECN 15-073 | Added new latch bracket PN and image. |
| 02 | 06/14/17 | ECN 17-059 | Added 202740B to 624 and 5001 chair models only. |
| 03 | 11/27/17 | DCC 17-071 | Misc. minor changes. |
| 04 | 12/14/17 | ECN 17-110 | Addition of Urethane Arm Option Parts. |
| 05 | 01/12/18 | ECN 17-111 | Addition of Black Zinc Front Caster Bolts. |
| 06 | 04/23/18 | ECN 18-026 | Update PN and Pics for Cable Assembly on Page 5. |
| 07 | 06/13/18 | ECN 18-017 | Add Neck Pillow and Headrest Cover Options (NP24-XX). |