

EscapeTM! User Manual



Charcoal	Red	Seat Height
500-10191	500-10195	19" (48 cm)
500-10211	500-10215	21" (54 cm)
500-10241	500-10245	24" (61 cm)



- Read Instructions carefully before use.
- Rollator is designed for indoor & outdoor use.
- Do NOT use as a wheelchair or as a transport chair.
- Instruction manual must be given to the user.

1. For Your Safety

- a) Do NOT use the rollator to carry heavy objects.
- b) Do NOT push the rollator when someone is sitting on the seat.
- c) If using the rollator partially folded, ensure that all four wheels are firmly on the ground
- d) Always check the brakes are working before using.
- e) Do NOT sit on rollator and push yourself around using your feet to propel.
- f) Do NOT stand on the seat.
- g) Parking brake must be applied before sitting.
- h) Do NOT use on stairs or escalators.
- i) Exercise caution when walking on sloped surfaces.
- j) Do NOT hang objects from the backstrap.
- k) Do NOT use if the rollator is not functioning properly.
- l) The weight capacity of the rollator is 275lb / 125kg.
- m) The weight capacity of the shopping bag is 11lb / 5kg.
- n) When storing your rollator, do not store other items on top of your rollator.

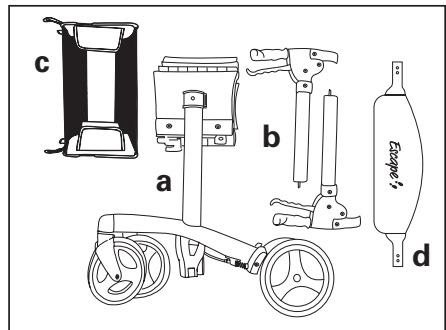
2. Assembly

* Phillips screwdriver required

The Triumph Mobility Escape rollator consists of the following parts.

- (a) Rollator frame.
- (b) Brake handles (pair).
- (c) Shopping Bag.
- (d) Backstrap & 2 screws and nuts.

Check each part carefully for shipping damage. Do not use the rollator if there are signs of damage and/or parts missing.

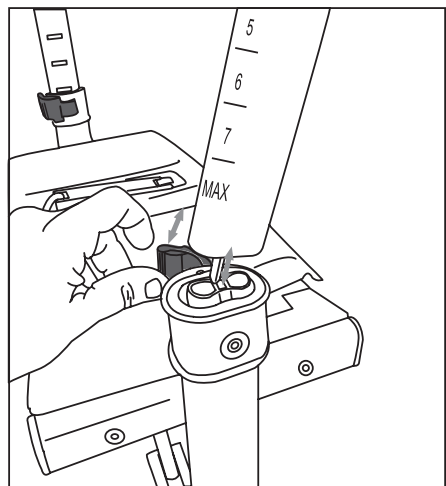


Install the brake handles

Rollator should be in the unfolded position before beginning. While holding the 'RED' release lever in the open position, slide the brake handle into the frame. Rectangular slots on the brake handle tube should be facing inwards.

The metal rod protruding from bottom of brake handle tube must be inserted into the rectangular slot in the middle of the frame. Set the desired handle height (The line below the number on the handle should line up with the top edge of the frame.) , and close the 'RED' lever. The release lever should 'click' when locked into the closed position.

Note: If brake handles are inserted with the rectangular slots facing outwards, you will be unable to set the handle height, as the 'RED' release lever will not close, and the brake will not function.

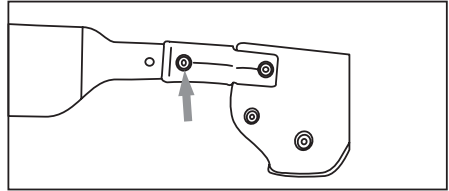
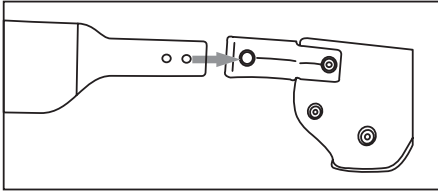


Install the backstrap

Slide backstrap into the backrest connector. The padded side of the backstrap should face the inside of the rollator where it will meet the user's back while seated.

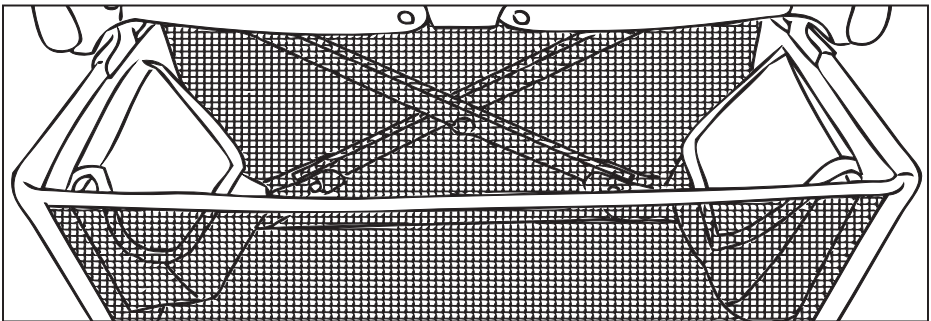
Secure the backstrap into position by inserting the screw and nut. The nut should be positioned into the hexagonal shape hole on the inside of the backrest connector.

Tighten securely using a Phillips screwdriver.



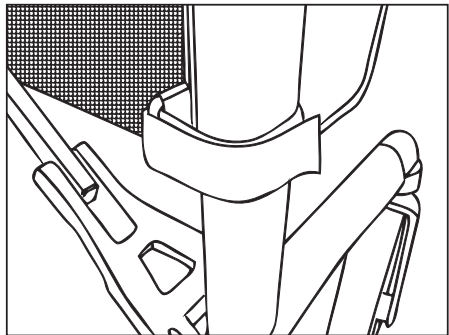
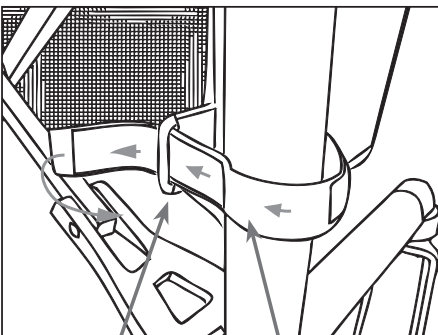
Install the Shopping Bag

Fix the shopping bag into the brackets located under the seat at the front.



Loop the strap (velcro) around the frame and insert into wire tab.

Firmly secure the velcro strap.



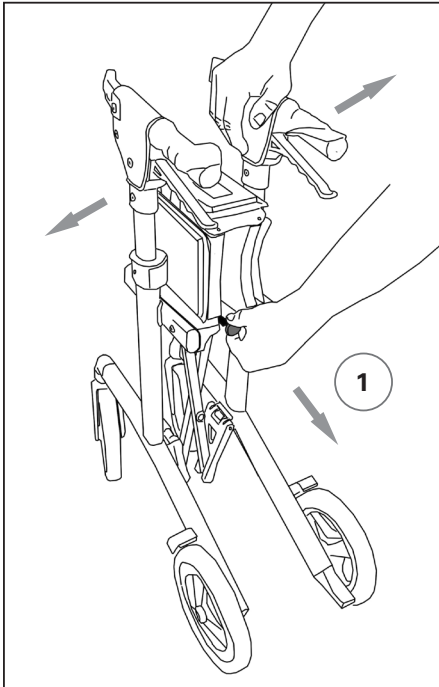
Wire Tab

Strap (Velcro)

3. Operating Your Rollator

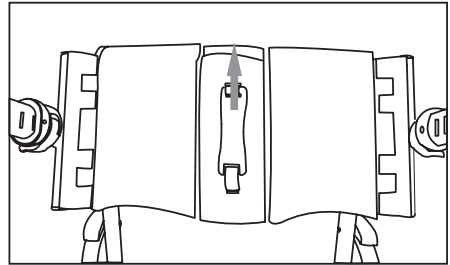
To unfold the Escape Rollator

Pull the red knob below the seat to release the frame lock. Pull handles apart, and push down on the seat.



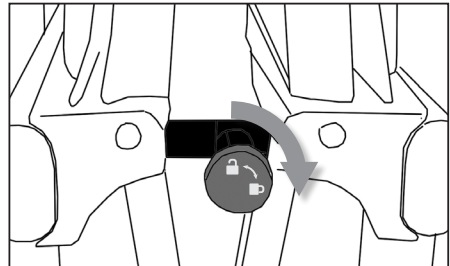
To fold the Escape Rollator

To fold rollator pull up on the handle strap located in the centre of the seat.



Frame Lock (ON/OFF)

To turn off the frame lock, turn the red knob 90° clockwise.



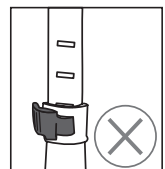
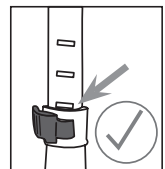
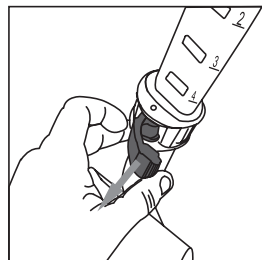
Important: If using the rollator partially folded, ensure that all four wheels are firmly on the ground.

Adjust the Handle height

Pull the 'RED' release lever in the open position. Set the desired handle height, and close the 'RED' release lever. The release lever should 'click' when locked into the closed position.

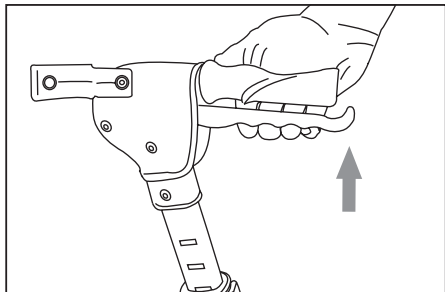
The line below the number on the handle should line up with the top edge of the frame.

To determine the correct handle height of your rollator. Stand straight up with your hands on the handgrips, your arms should be slightly bent 20 – 30 degrees at your elbows.



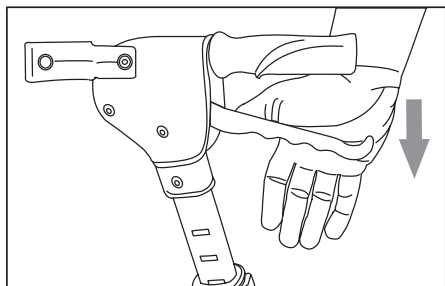
Using the Brakes

Pull up on brake handle to slow down or to release the parking brake.



Push down on brake handle to lock the brake into PARK.

Always lock the brake before sitting.



Walking with the rollator

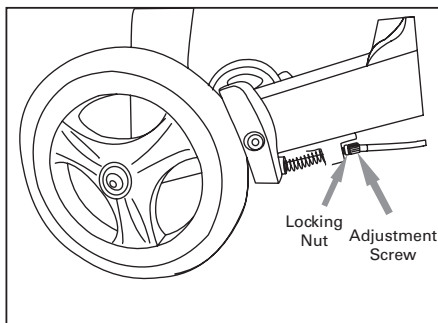
Stand up as straight as possible, and walk with the rollator close to your body. Keep your feet centred. Do not push the rollator away from your body, as this will cause you to bend your back, and could cause a fall.



To adjust the brake tension

If the hand brake is too loose, loosen the locking nut, and turn the adjustment screw counter clockwise.

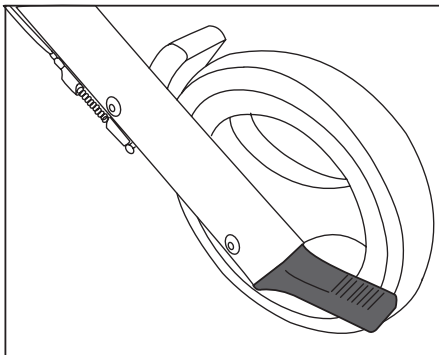
If the hand brake is too tight, loosen the locking nut, and turn the adjustment screw clockwise.



To use the curb climber

Use the curb climber to overcome obstacles such as curbs and thresholds.

To use keep both hands on the handles, and place foot onto the curb climber to lift the front wheels of the rollator.



To sit on the Rollator

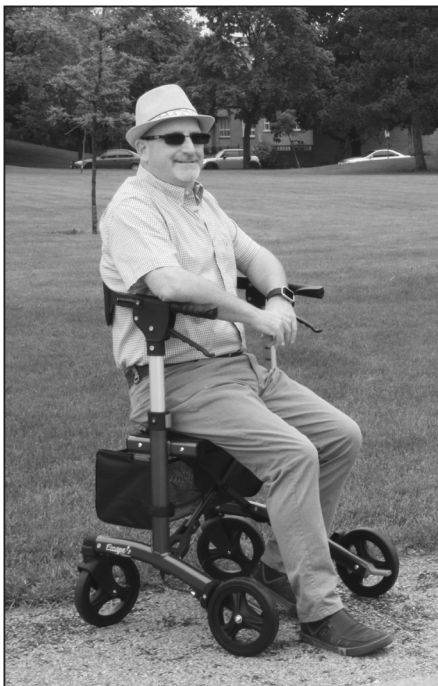
To sit on the rollator, ensure that the brakes are in the LOCKED position, and the rollator cannot move. Using the handles for stability carefully turn around. Gently touch the back of your legs on the edge of the seat, and sit down. Ensure both feet make contact with the ground while seated.

DO NOT STOP ON SLOPED SURFACES!

Travelling with your Rollator

When travelling with your rollator, and your rollator will be stored out of sight, we recommend that you remove the brake handles from the frame of the rollator to prevent damage. For example when travelling on airplanes, long distance buses, etc. It is best that the handles be carried with you in your carry on bag if possible.

When re-assembling the rollator, check all parts of the rollator carefully for damage before using.



Storage

Do not leave your rollator subject to the elements outside for extended periods.

When storing the rollator, do not store other objects on the rollator.

4. Maintenance

- a) Clean the rollator using mild soap and water. Wipe dry.
- b) Keep wheels clean.
- c) Check screws and handle height adjustments are tight.
- d) If your rollator is not working properly, discontinue use, and contact your dealer for service.

5. Warranty

Triumph Mobility covers the Escape Rollator by a lifetime warranty on the frame, and a five (5) year warranty on the brake handles against defects in materials and workmanship.

All other components are warranted for one (1) year.

This warranty is valid for the original purchaser only, and is not transferrable. Triumph Mobility will not warranty any parts that have been damaged due to improper installation, modification, and /or misuse. For warranty service, please return your rollator to your local dealer. Service charges are at the discretion of the dealer, and are not the responsibility of Triumph Mobility.

6. Warranty Registration

Please register your Escape rollator online at www.triumphmobility.com/product-registration.

When registering, please include the serial number. The serial number can be located on the right side of the frame underneath the seat.



7. Theft & Vandalism Insurance

Our clients know they can depend on our Escape walkers. They can also depend on us to replace it if it is stolen or vandalized. To that end, every Escape walker comes with automatic insurance for your peace of mind. For a \$50 deductible (plus shipping and applicable taxes), we will take care of getting a replacement to your doorstep.

This insurance covers the first two years that you own your walker, regardless of whether it's an Escape, Escape Classic, or Escape Mini. (Like most guarantees, it is not transferrable if the walker changes ownership.)

To make a claim, we ask our clients to visit www.triumphmobility.com/product-insurance to provide us with a copy of the relevant police report as well as their walker's serial number and proof of purchase. We'll do the rest. Let us help you get mobile again!



8. Rollator Specifications

Dimensions	Super Low	Low	Standard
Seat Height	19" 48cm	21" 54cm	24" 61cm
Handle Height Range	28 - 35.5" 71 - 90cm	29 - 37" 74 - 94cm	32 - 40" 81.3 - 101.6cm
Distance between handles	18" 45.7cm	18" 45.7cm	18" 45.7cm
Distance between wheels	19" 48.25cm	19" 48.25cm	19" 48.25cm
Seat Size	18.5 x 9.5" 47 x 24cm	18.5 x 9.5" 47 x 24cm	18.5 x 9.5" 47 x 24cm
Overall Width	25" 63.5cm	25" 63.5cm	25" 63.5cm
Overall Length	25.6" 65cm	25.6" 65cm	25.6" 65cm
Depth Folded	11" 28cm	11" 28cm	11" 28cm
Wheel diameter	8" 200mm	8" 200mm	8" 200mm
Weight Capacity of rollator	275lb 125kg	275lb 125kg	275lb 125kg
Weight capacity of basket	11lb 5kg	11lb 5kg	11lb 5kg
Product weight	15.4lb 6.7kg	15.6lb 6.8kg	15.8lb 6.9kg



TRIUMPH MOBILITY, INC. 151 Bentley Ave., Unit 4, Nepean, ON, K2E 6T7
info@triumphmobility.com, 1.855.546.0711