



Airwise® Air Purifier

Small, Large and Multi-Room Models



USE & CARE GUIDE

See important safeguards on pages 2 and 3



An exclamation point within an equilateral triangle is intended to alert user to the presence of important operating, safety and maintenance instructions in the literature accompanying the appliance.



A lightning bolt within an equilateral triangle is intended to alert user to risk of injury from electric shock.



IMPORTANT SAFEGUARDS

A person who has not read and understood all operating and safety instructions is not qualified to operate this appliance. When using this appliance, always adhere to basic safety precautions including:

READ ALL INSTRUCTIONS BEFORE USE.



1. Use **INDOORS** only on a dry, level, well-supported, stable surface. **DO NOT** use this appliance outdoors. To reduce the risk of electric shock, **DO NOT** expose this appliance to water or moisture.
2. **DO NOT** operate this appliance in any area where there is risk of the unit falling into or being exposed to water.
3. Keep out of reach of children. This is not a toy! The purifier is an electrical device. Adult supervision is required when operating in the presence of children.
4. Plug Purifier into a 120 volt electrical outlet only. This Purifier has a polarized plug (one blade is wider than the other). To reduce the risk of electrical shock, the plug will fit into a polarized outlet only one way. If the plug does not fit fully into outlet, reverse plug. If it still does not fit, contact a qualified electrician. **DO NOT** modify plug in any way.
5. **DO NOT** operate with a damaged plug, after a malfunction or if the purifier has been damaged in any manner. Return to an authorized dealer or authorized service facility for repair or replacement.
6. If an extension cord must be used, its marked electrical rating should be at least as great as the electrical rating of the Purifier. **DO NOT** allow power cord or extension cord to hang over the edge of a counter or contact hot surfaces.
7. **DO NOT** use appliance for other than intended use.
8. **DO NOT** allow foreign objects to enter the intake and outlet openings as this may cause electric shock or damage to the purifier. **DO NOT** block air intake or outlet openings.



CAUTION!

DO NOT look directly or stare at the UV light. **DO NOT** operate lamp module outside of purifier housing.



CAUTION!

To replace the lamp module, press “ON/OFF” switch to “OFF” position (see diagrams on page 7).



Always be sure to unplug power cord from wall outlet and allow to cool completely before changing lamp module.



CAUTION!

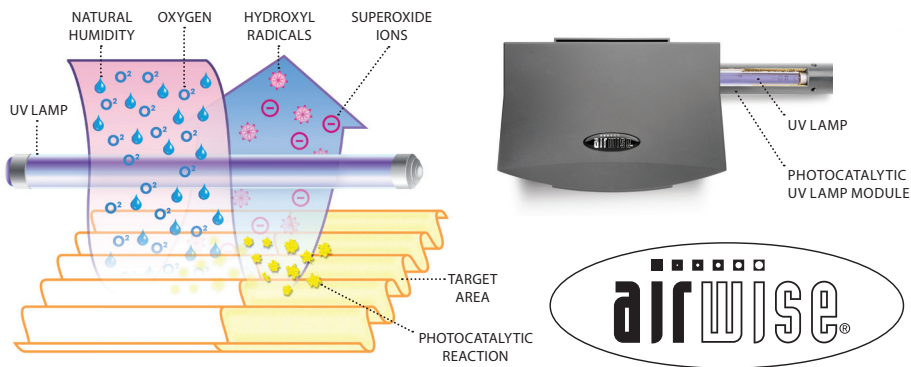
To reduce the risk of electrical shock, **DO NOT** disassemble, tamper with housing, or attempt to repair the purifier. **NO** user serviceable parts inside. Refer servicing to qualified service personnel.

The Airwise Purifier is not a medical device. **DO NOT** stop or alter any medical therapy programs or medications without the advice of your physician.

| | | |
|--|---|---|
|  | <p>CAUTION</p> <p>RISK OF ELECTRICAL SHOCK DO NOT OPEN</p> <p>ATTENTION</p> |  |
| <p>CAUTION! TO REDUCE THE RISK OF ELECTRICAL SHOCK, DO NOT ATTEMPT TO REPAIR. NO USER SERVICEABLE PARTS INSIDE. REFER SERVICING TO QUALIFIED SERVICE PERSONNEL.</p> | | |



SAVE THESE INSTRUCTIONS



HOW AIRWISE WORKS

Airwise uses humidity from the air to create a photocatalytic reaction between the germicidal UV lamp and the multi-metallic and titanium dioxide coatings on the target area of the lamp module. This reaction produces hydroxyl radicals and superoxide ions. As they are emitted into the room, they destroy microorganisms like bacteria and viruses and oxidize odors, fungi, mold, parasites, and toxic chemical gases. The Purifier also includes Wisepointe® technology, a self-limiting negative ion generator. Negative ions are attracted to airborne positive ions such as dust, pollen, pet dander and smoke. This agglomeration of ions makes the particles heavier than air, thus settling them out of the breathing space.

PHO•TO•CA•TAL•Y•SIS

This photocatalytic reaction is continuous and effective in oxidizing and decomposing pollutants back into harmless CO₂ and H₂O molecules, detoxifying the air in the room.

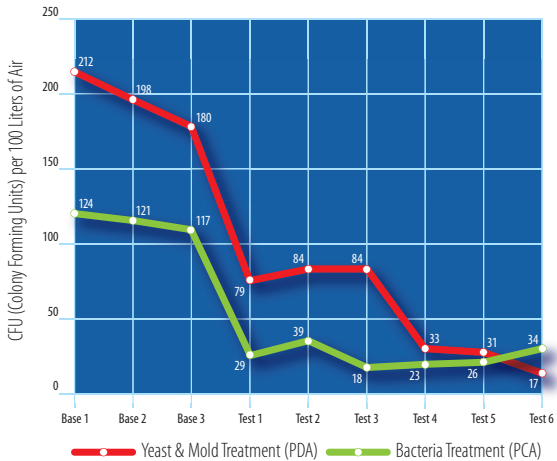
90% MOLD AND BACTERIA REDUCTION

Airwise has proven effective in tests conducted by California Microbiological Consulting, Inc. and Walnut Creek Research Laboratory. They found that common mold and bacteria levels, which are present in 90% of American homes, plummeted 50% or more in the first 24 hours and continued to drop by 90% after 3 days.



Airwise Multi-Room Purifier

Baseline Days (No Treatment—Base 1, 2 & 3) Operating Days (Tests 1–6)



Airwise outperforms all other technologies

| | HEPA Filter* | Electrostatic Filter* | Ozone** | UV* | Ionizer | Airwise® Photocatalysis + Wisepointe |
|---------------------------------|--------------|-----------------------|---------|-------|-----------|---|
| Noise | Loud | Noisy | Noisy | Noisy | Silent | Silent |
| Maintenance | Medium | High | Medium | Low | Low | Low*** |
| Reliability | Good | Good | Poor | Good | Good | Excellent |
| Mold | Poor | Good | Poor | Good | Poor | Excellent |
| Bacteria | Poor | Good | Poor | Good | Poor | Excellent |
| Dust Mites | Poor | Poor | Poor | Good | Poor | Excellent |
| Gases | Poor | Poor | Good | Good | Poor | Excellent |
| Odors | Poor | Good | Good | Poor | Good | Excellent |
| Smoke | Good | Good | Good | Poor | Excellent | Excellent |
| VOC's | Poor | Poor | Good | Good | Poor | Excellent |
| Pet Dander | Good | Good | Good | Good | Good | Excellent |
| Large Particles 10 to .3 micron | Good | Poor | Poor | Poor | Excellent | Excellent |
| Small Particles < .3 micron | Poor | Poor | Poor | Poor | Good | Excellent |

* Fan required

** Safe levels for occupied spaces

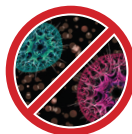
*** Replace the UV Lamp every 12 to 18 months (This is the only required maintenance)



MOLD



DUST MITES



BACTERIA



POLLEN



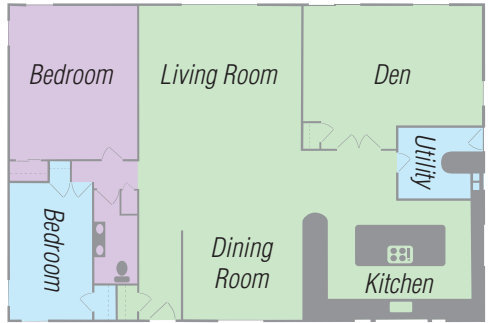
SMOKE

INSTALLATION & OPERATION

Place the Purifier on a flat, level, stable surface in the room where you spend the most time, or close to source of odor. For optimal performance, place the Purifier higher up, such as on a tall piece of furniture. The Purifier includes an extra long power cord to accommodate this optimal placement. To insure proper air flow, keep the unit at least four (4) inches from wall.

Plug Purifier into a standard 120 volt wall outlet only. Press “On/Off” switch to “On” position (*see Rear View, page 7*). Lamp module will illuminate.

Airwise is most effective in treating open areas. A properly sized Purifier will cause the air to smell clean and fresh. Performance may vary according to atmospheric and/or environmental conditions such as altitude, relative humidity, air movement, severity of existing odor, house design and square footage. If you still detect household odor after a few days, a larger size lamp module may be needed. If you notice a lingering, sterile, metallic odor, or experience burning eyes, a smaller size lamp module may be needed or the Purifier may need to be moved to a larger room.



Small Room — up to 350 square feet

Large Room — up to 750 square feet

Multi-Room — up to 1,500 square feet

SPECIFICATIONS

| MODEL | TREATMENT AREA | MAX TREATMENT AREA |
|------------|----------------|--------------------|
| Small | 150 SQ FT | 350 SQ FT |
| Large | 350 SQ FT | 750 SQ FT |
| Multi-Room | 750 SQ FT | 1,500 SQ FT |

Ozone Output: Less than .04 ppm

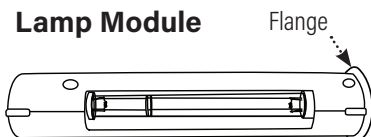
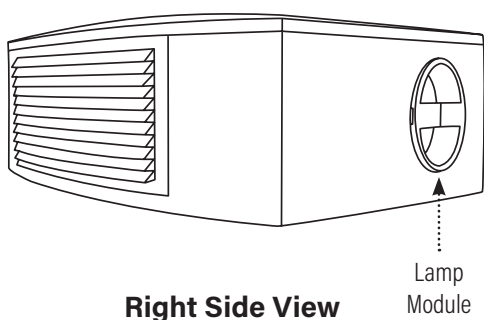
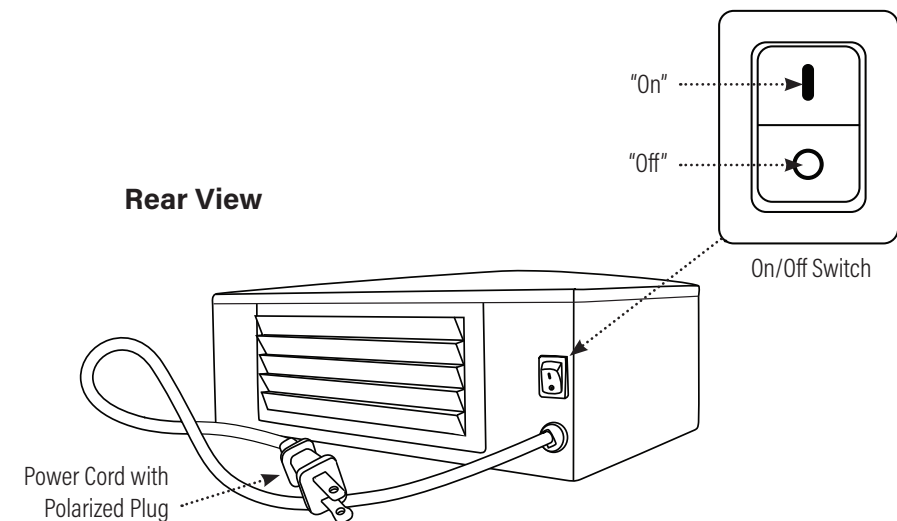
UV Output: 8 micro watts per square centimeter

Ion Generation: Passive and active negative UV ions

Electrical Rating: 120 Volt/60 Hz/12 Watts/.1 Amp

Made in USA with UL Listed Parts





DO NOT mistake the "gold flakes" on the module for dirt or prior use. This multi-metallic coating acts as a catalyst in the production of superoxide ions.

MAINTENANCE—LAMP MODULE REPLACEMENT

The performance of the Purifier will diminish with use. To maintain best treatment, the lamp module should be replaced after approximately 9000 hours of operation, or **once per year if operated continuously**.

To replace the lamp module, press "ON/OFF" switch to "OFF" position. Unplug the Purifier and allow to cool completely. Firmly grip lamp module and pull it out of the Purifier. Install new lamp module by sliding it into Purifier until flange contacts Purifier housing (*see Right Side View, above*). Put the old lamp module in the lamp module box and dispose.

TROUBLESHOOTING

If you suspect a problem, check the following:

- Purifier is plugged in properly and turned on (*see Rear View, page 7*).
- The wall outlet is active.
- Lamp module correctly installed.

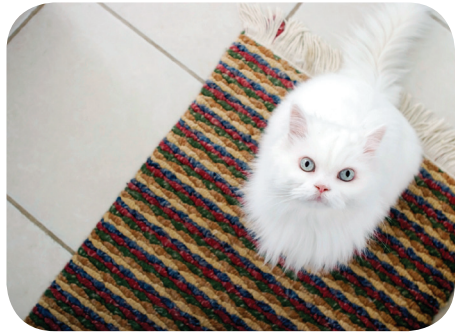


CAUTION!

To reduce the risk of electrical shock, **DO NOT** tamper with the housing or attempt to repair the purifier. No user serviceable parts inside. Refer servicing to qualified service personnel.

SERVICE

Contact qualified service personnel for repair if the troubleshooting tips fail.



QUESTIONS & ANSWERS

Q: Does my Purifier need to run all the time?

A: No. You can use your Airwise as needed; however, most owners run the Purifier nonstop to continuously enhance the quality of their air.

Q: Is there any maintenance required?

A: No. Simply replace the lamp module once a year.

Q: What about my clothes? Can I eliminate dry cleaning odors or smoke smell?

A: Yes. Place Airwise in a closet with dry-cleaned or smoke-filled garments for one hour with the door closed.

Q: Does the technology help with pet odor?

A: Yes. It not only removes pet odors, but will drop pet dander out of the air (breathing space).

Q: Can the Purifier be used for travel?

A: Yes. Many owners have an additional small room lamp module which works great in hotel rooms and RVs. Also, consider our portable Airlite® model for travel (*up to 350 square feet*).



WHERE TO USE

Homes & living areas

- Kitchens
- Laundry rooms
- Basements
- New carpets, cabinetry & furniture
- New paint, wallpaper & paneling
- Odor cleanup
- High pollen environments
- Smoking areas

Offices & businesses

- Hotel rooms
- Barbershops, hair & nail salons
- “Sick” buildings/offices
- Doctors offices
- Hospitals, nursing homes
- Day care centers
- Veterinary offices/kennels
- Printing businesses
- Carpet showrooms



REORDER:

Airwise Air Purifier

- Small Room # 2100
- Large Room # 2200
- Multi-Room # 2300



Replacement Lamp Modules

- Small Room # 2510
- Large Room # 2520
- Multi-Room # 2530



Serial Number _____

Date Purchased _____

Purchased From _____

INSTALLATION DATE:

LAMP MODULE REPLACEMENT DATES:

WARRANTY REGISTRATION CARD



Please fill out and return the enclosed registration card or register online at: www.waterwise.com/awr (scan the QR Code).

Returning this card will not affect warranty coverage, but may expedite the processing of a warranty claim. Returning this card is the only way to guarantee you will be notified of any issues that arise concerning this product. The additional information will also help us to develop new products that best meet your needs. Thank you!

OWNER'S LIMITED WARRANTY

Airwise warrants, to the original purchaser, this product against defects in materials and workmanship excluding the replaceable lamp module, for a period of three (3) years from the date of purchase. The lamp module is warranted against defects in materials and workmanship for one (1) year prorated from the date of purchase. Defects or failures due to shipping/handling, improper use or maintenance, including abuse or neglect, normal wear, accidents, alterations or modifications, or unauthorized repair are specifically excluded from this warranty. No dealer, distributor, agent, representative, or other person is authorized to extend or expand this warranty.

Airwise is not responsible or liable for personal injury, property damage, or incidental or consequential damages arising out of, or in connection with, the use or performance of the product or other damages with respect to loss of use, or costs of removal, installation, or reinstallation.

Airwise will, at its option, replace or repair the defective part(s) without charge, provided they are returned, transportation prepaid by owner, to an authorized service facility or to the address below. Enclose a letter describing the problem, copy of dated proof of purchase, and your name, address and daytime telephone number.

This limited warranty does not guarantee uninterrupted service. Repair or replacement as provided under this warranty is the exclusive remedy of the purchaser. This limited warranty is in lieu of all other warranties, expressed or implied, including, but not limited to, any implied warranty of merchantability or fitness for a particular use or purpose. This warranty gives you specific legal rights and you may also have other rights which vary from state to state or province to province.

Outside the United States, a different warranty may apply. For details, please contact your authorized Airwise distributor.



3608 Parkway Blvd • Leesburg Florida 34748-9399
(352)787-5008 • Fax (352)787-8123