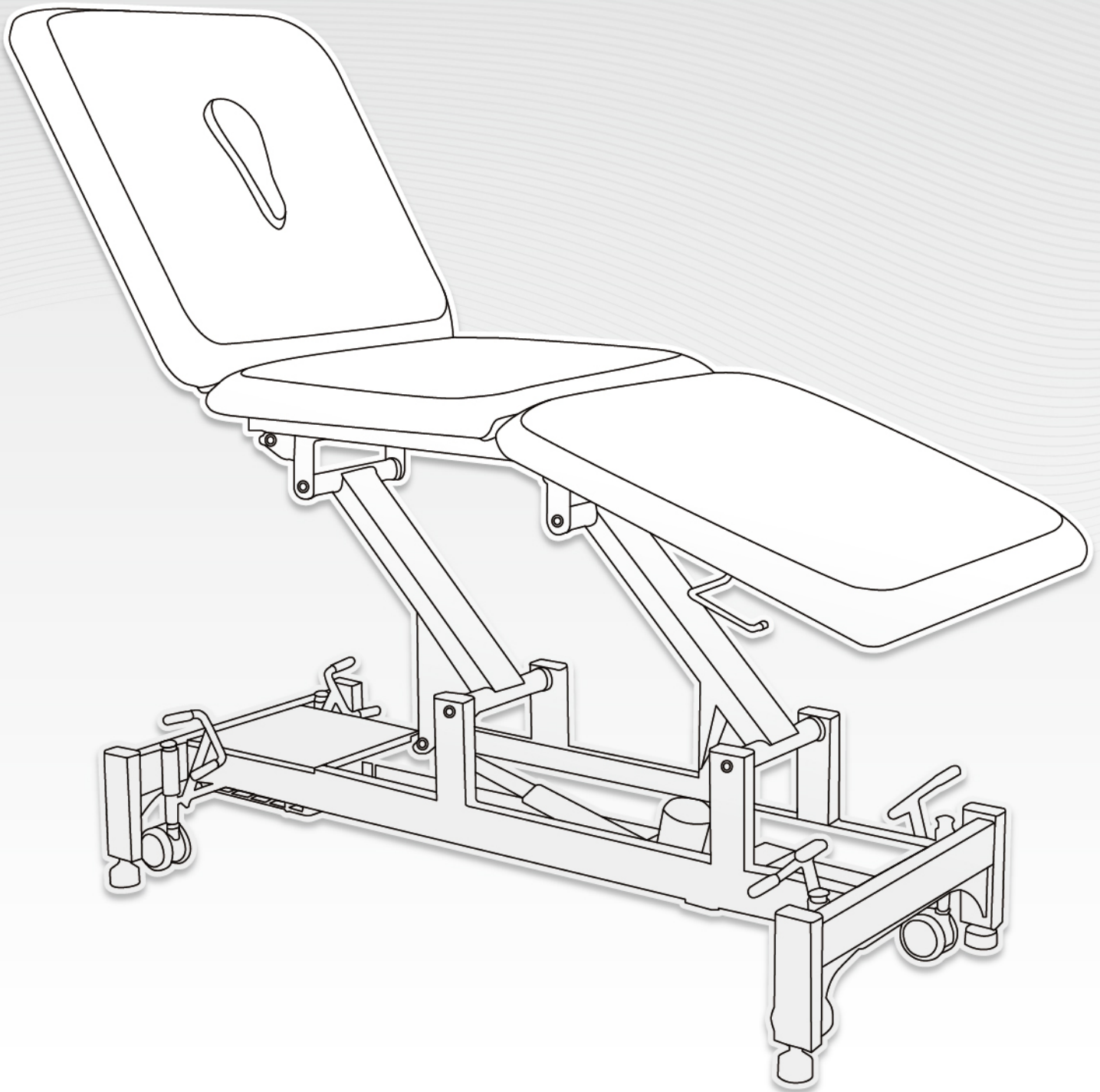


EVERYWAY4ALL**CA65****TRIO 3 Section
Therapeutic Table (Electric)**

Contents

Warnings / Cautions / Labelling & Graphical Symbols	01
Graphical Symbols / Safety Instructions	02
Before Use	03
1. Motorized Action / 2. Moving & Leveling	04
3. Basic Operation - Head Section / 4. Basic Operation - Leg Section	05
4. Technical Specifications	06
Environmental Conditions / Cleaning Instructions / Maintenance & Scheduled Servicing / MAINTENANCE	07
Trouble Shooting / Regulation Compliance	08
I. Manufacturer's Warranty	09
II. Limitation of Liabilities and Disclaimer of Warranties	09
SERVICE MANUAL	10



Warnings

- Please make certain that Electric Couches / Tables are not used in the presence of flammable gases such as anaesthetic agent.
- Do not sit on the edge of Head or Foot Section of a couch or table as possible damages to the (1) Gas Struts and/or (2) Gas Strut Handle Bar may occur. Standard Load of a couch or table is rated at which the loading weight is distributed evenly across the working surface but not on a specific area or side of table top.
- It is hazardous to exceed the rated maximum load of a couch or table.
- The operation Electric couch or table requires the Power Cord securely plugged-in to the wall utility power. When the Power Cord is unplugged, it does not operate unless the couch or table is equipped with a backup battery.
- Use only the original accessories that is manufactured by Everyway Medical Inst. Co., Ltd. for a table or couch.
- Children **MUST** be refrained from using any tables or couches by means of operating a hand or foot control nor Elevating Bars.



Please be aware of any circumstances which could result in failure or possible damage of the equipment in use.



Cautions

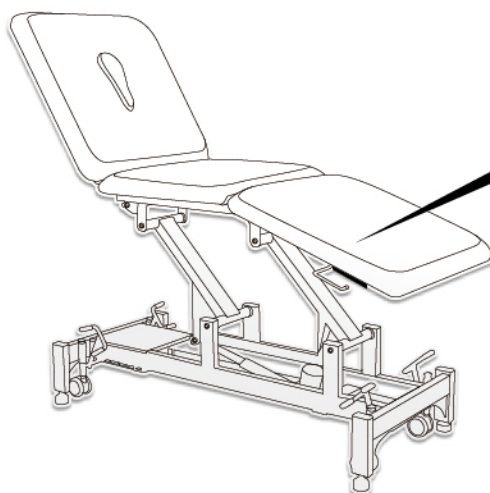
- Before allowing a patient to lay on the couch or table, please ensure that the Leveling Foot at each corner is **LEVELED & RESTING** on the floor securely after the castors are retracted. If not, please adjust the leveling foot accordingly to stabilize the table.
- Check any trapped power cords or cables underneath the couch or table while moving the table.
- Keep any persons' limbs away from all moving parts of a couch or table especially when the table is being moved from one place to another.
- When applying electrotherapy to a patient, please keep his or her body away from any contacts with metal parts of the couch or table.
- Please familiarize yourself with the operation of all various controls of actuator and gas struts to avoid inadvertent actuation of table sections.

Labelling & Graphical Symbols

You can locate three identification labels on the table.

1) First One - Safety Label (CE Label) appears at the upper frame. This is where you can locate the Manufacturer / Serial Number / Model Number / Input Voltage / Max. Operational Load

An Example Safety Label (CE Label) is shown below:



2) *Second One - Control Box Label appears on the Control Box. You can locate the control box at the bottom frame just beneath the head section. On this label, you can locate the Manufacturer of this Control Box / Model Number / Serial Number / Input Voltage / Output Voltage / Duty Cycle / Part Number / Spec code / Caution Marking / Country of Origin.*

Tz MOTION Control Box











Model No : TC1-S3NB-2 IP54
 Input : 100-240VAC, 50/60Hz, 2000mA
 Output : 32V ---, 80VA
 Duty cycle : max.10%, 2 min. ON/18 min. OFF

CERTIFIED TO AAMI /CSA/IEC/EN STD
 AAMI ES 60601-1, CSA-C22.2 NO.60601-1,
 IEC 60601-1, EN 60601-1

MADE IN CHINA

Part No. TC1-2188-001
 Spec code. TC1-4A22-A220-60
 Serial No.  201409263456

Graphical Symbols

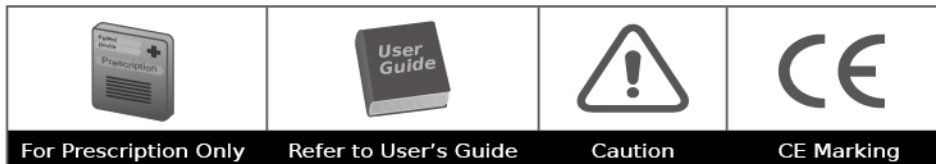
-  Safety Logo of the Certified Bodies (TUV SUD)
- IP54 Degree of protection provided by enclosures (IP Code)
-  Refer to Instruction Manual (Booklet)
-  Caution: Read Instruction, Warnings & Cautions
-  For Indoor-Use Only
-  CE Marking for Table that complies with CE MDD
-  WEEE Symbol: This symbol reflects the European Union Directive on Waste Electrical and Electronic Equipment (WEEE). Under such Directive, this WEEE symbol requires you as end-user to dispose of any WEEE separately by bringing it to your nearest collection facility.
-  Safety Logo of the Certified Bodies (ETL)
-  Consult Operation Instructions
-  Degree of Electrical Protection Type B
-  Safe Working Load Symbol

Safety Instructions

- 1 Prior starting to use the table, it is important that you read and understand this manual.
- 2 You may also consult this manual whenever you're in doubt about using the table.
- 3 This devise **MUST BE USED** under the supervision of a licensed practitioner.
- 4 Use only the original accessories that is manufactured by Everyway Medical Inst. Co., Ltd. for the table.
- 5 **DO NOT USE** the table in "Wet Rooms" - Hydrotherapy Rooms.
- 6 Keep the table away from direct heat and/or fire.

Congratulations on the purchase of Everyway Medical Tables. Please refer to the instructions provided herein for the full operation and installation (if required) of Everyway Tables.

Please read the instructions thoroughly in this user's manual before use. One or some of the following symbols may be used in this user's manual:



Additional Info:

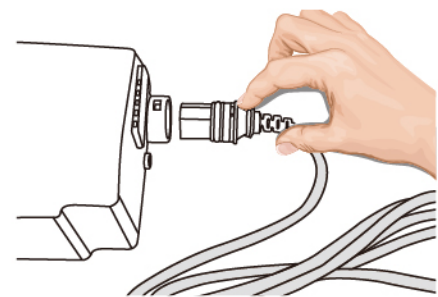
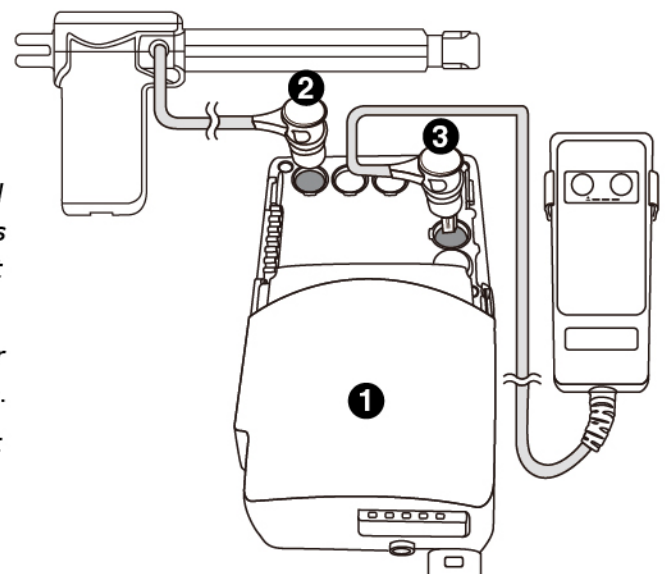
This device may be subject to regulation by the U.S. Food and Drug Administration and state and local regulatory agencies. A prescription may be required for the purchase and use of this item.

Before Use

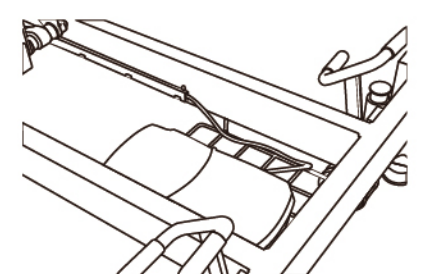
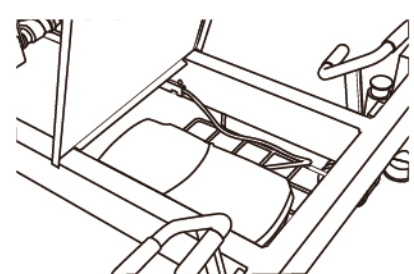
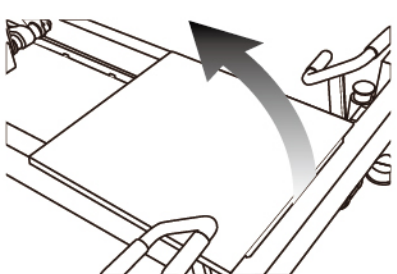
All Everyway Medical Co., Ltd. manufactured tables are fully functional straight out of the shipping cartons. The following installation instructions are provided for cleaning or replacement purposes.

- 1 Control Box
- 2 Actuator Plug
- 3 Controller Plug

- Open the controller's socket cover by inserting a flat-headed screw driver to the left-hand side of the cover (this disengages the "childproof" latch) then slide the cover to reveal the socket holes.
- Locate the controller plug socket at the right-bottom corner of the socket panel. (that is the 2nd socket from the bottom.)
- Plug-in the controller's plug into the above mentioned socket
- Your table may be equipped with a Hand Control, Foot Control or Up/Down Bar for controlling Hi/Lo or the movement of a section or multiple sections of the table top(s), there should be only one plug for controller (If you found more than one plug connected to multiple controllers, you will need to connect all of the to an Expansion HUB of (a) 1-to-2 (b) 1-to-3 or (c) 1-to-4
- Plug-in the Power Cable connector to the control box module



- All tables are equipped with a controller module placement tray at the bottom of table frame
- You may lay the controller module flat on the meshed tray and cover it up with the provided metal cover.

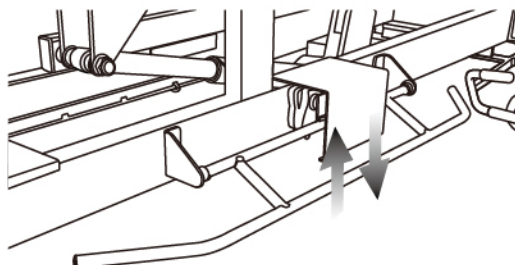
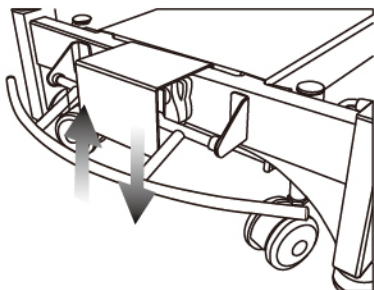


1. Motorized Action - Hi / Lo (Up or Down)

Depending on your order requirement, your **CA65 Therapeutic Table** may be equipped with a Foot Control, Hand Control or 3 Sides Up/Down Elevating Bar. Before your table is able to be operated and driven by the motorized actuator, the power plug **MUST** first be plugged into the wall power.

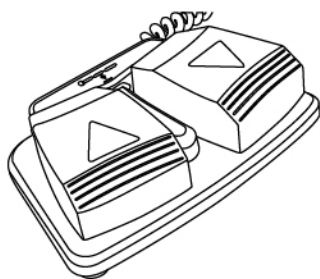
Elevating Bar (2 / 3 / 4 Sides)

- To **LIFT UP** the table top, Step Down on one of the 3 side bars
- To **DROP DOWN** the table top, Hook Up with your foot on one of the 3 side bars



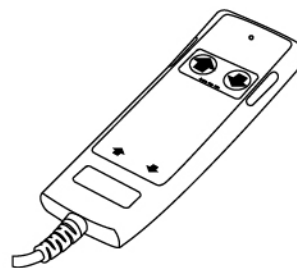
Foot Control

- To **LIFT UP** the table top, Step Down the **LEFT SWITCH (UP)**
- To **DROP DOWN** the table top, Step Down the **RIGHT SWITCH**



Hand Control

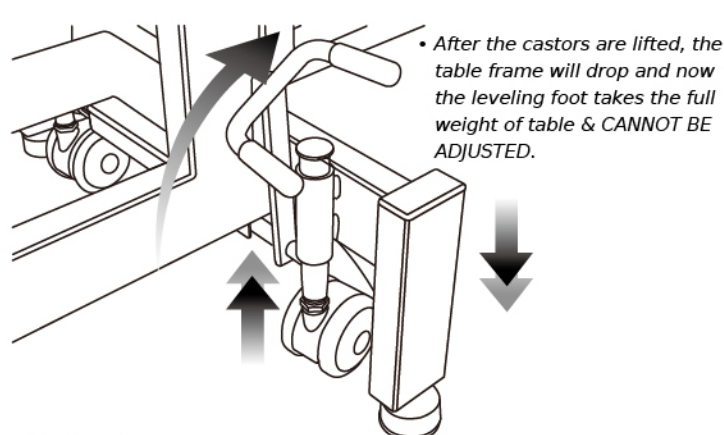
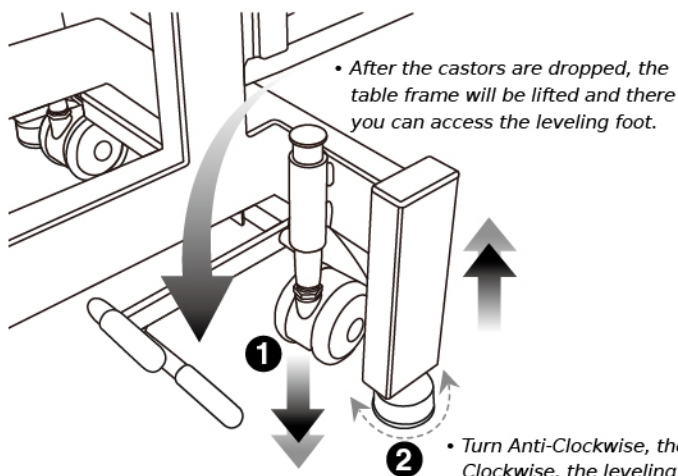
- To **LIFT UP** the table top, Press Down the **LEFT SWITCH (UP)**
- To **DROP DOWN** the table top, Press Down the **RIGHT SWITCH**



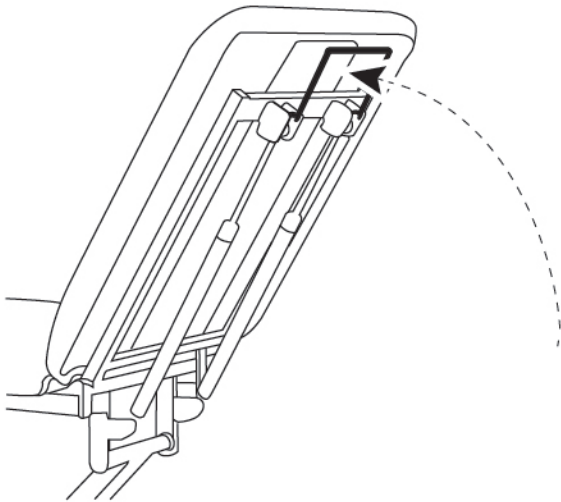
2. Moving & Leveling

Your **CA65 Therapeutic Table** is equipped with Castors. When both ends (Front & Rear) castors are dropped down, the table can be moved around to your desired spot for short or long-term placement.

- To drop down the castors on all 4 corners, **STEP DOWN** the Castor Activation Levers at the front and rear bottom ends of the table.
- Make sure that the Leveling Foot (Round) is screwed all the way up to make clearance for the castors to move properly.
- Once a desired placement of table is found in a room, you may lift up the castors by means of hooking up the castor activation lever with your foot.
- The table has to be **LEVELED** or **STABLIZED** once it is in position. You may level the table by adjusting the Round Leveling Foot underneath each leg.
- Turning **Anti-Clockwise** MOVES the Leveling Foot **UP**
- Turning **Clockwise** MOVES the Leveling Foot **Down**

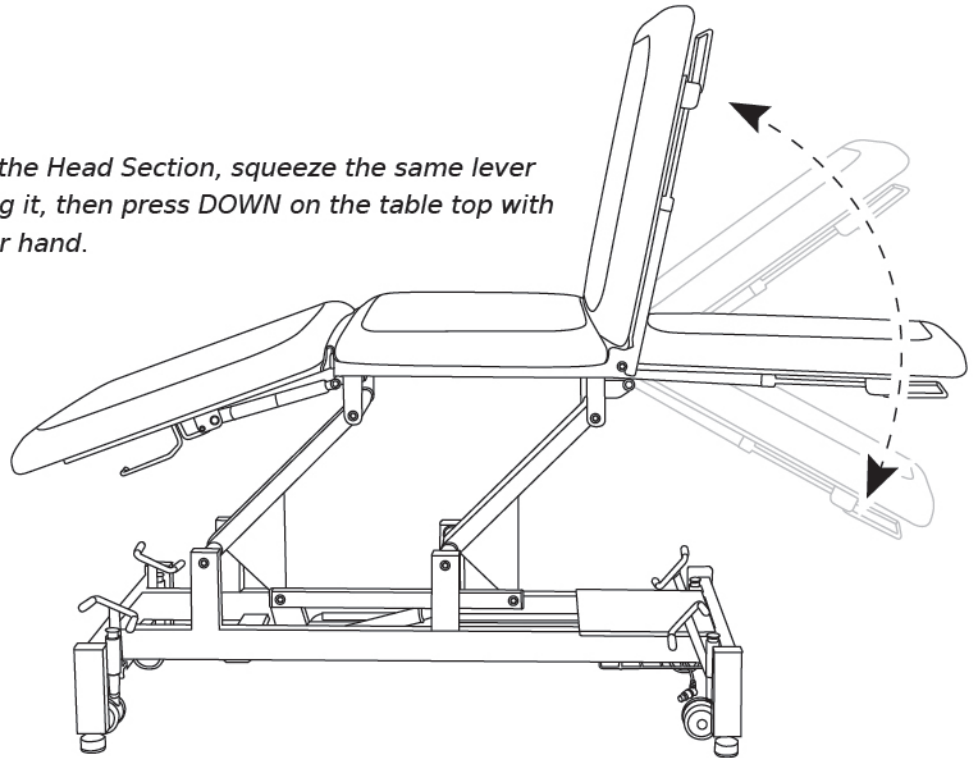


3. Basic Operation – Head Section



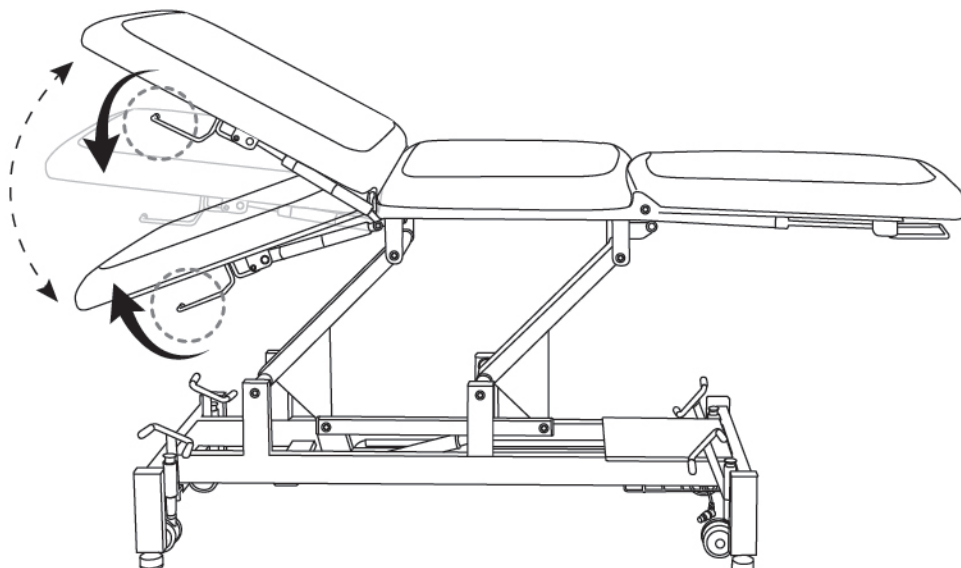
- To raise the Head Section, simply squeeze the lever at the top-center edge to activate the gas strut and the head section will begin to rise automatically.

- To lower the Head Section, squeeze the same lever like raising it, then press DOWN on the table top with your other hand.

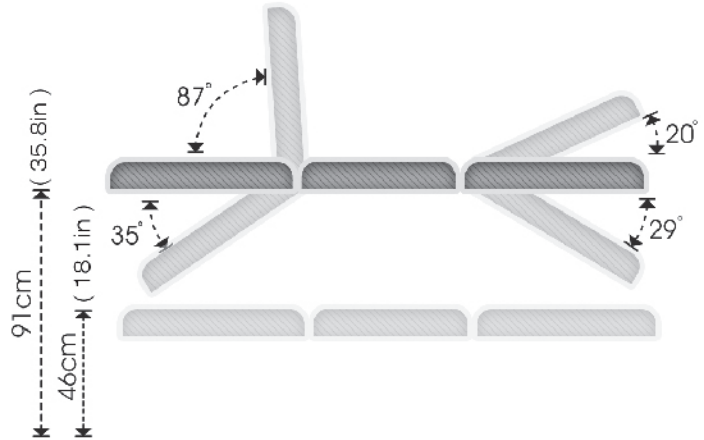
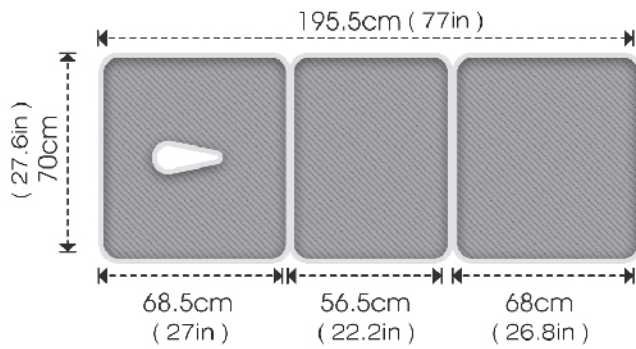


4. Basic Operation – Leg Section

- To raise the Leg Section, simply squeeze the lever at either side of the Leg Section underneath the table top to activate the gas strut and the leg section will begin to rise automatically.
- To lower the Leg Section, squeeze the same lever like raising it, then press DOWN on the table top with your other hand.



5. Technical Specifications



Measurements & Technical Data

Minimum Height 460mm / 18.11" inch
Maximum Height 910mm / 35.83" inch
Table Top Width 700mm / 27.56" inch

Head Section Length 685mm / 26.97" inch
Mid Section Length 565mm / 22.24" inch
Leg Section Length 680mm / 26.77" inch
Total Length 1955mm / 76.97" inch

Head Tilt Angles -35° to +87°
Leg Tilt Angles -29° to +20°
Lift Mechanism Electric
Breathing Hole/Plug 1

Retractable Castors 4
Weight Rating (Max. Load) 225kgs / 496lbs

Net Weight 72.5 kgs
Gross Weight 86.1 kgs
Package Dimension 221 x 77 x 52 cm

Container Load Capacity

- 20ft 28 tables
- 40ft 60 tables
- 40ft HQ 75 tables

Electrical Data

Control Box Input Voltage & Rating: 100~240VAC, 50/60Hz, 2A
Control Box Output Voltage: DC 32V, 80VA

Actuator Input Voltage: DC 24V
Duty cycle: Max. 10% 2min. ON / 18min. OFF
Max. Load: Push 8000N
Max. Current: Max. 6A

CERTIFIED TO AAMI / CSA / IEC / EN STD
 AAMI ES 60601-1, CSA-C22.2 NO. 60601-1
 IEC 60601-1, EN 60601-1

The electrical components used are approved by IEC 60601-1

Environmental Conditions

Operation Temperature:	10°~40°
Relative Humidity:	30%~90%
Transport & Storage Temperature:	0°~70°
Relative Humidity:	10%~100%

Cleaning Instructions



WARNING

PRIOR CARRYING OUT ANY CLEANING PROCESS, DISCONNECT THE POWER CORD FROM THE MAIN WALL SOCKET (ELECTRIC MODELS ONLY)

- 1 Move the table to a suitable area prior cleaning*
- 2 Use only Neutral Detergent (pH 7) and dilute with warm water*
- 3 Use Alcohol Wipes for cleaning Hand or Foot Control (Electric Models Only)*
- 4 Wipe the table dry prior use*
- 5 Wash your hands thoroughly after cleaning to avoid irritation*
- 6 For Decontaminating the Table, please follow above instructions and use a diluted solution of Hypochlorite with COLD WATER (Mix at 10,000ppm or part(s) per million)*

Maintenance & Scheduled Servicing

It is strongly recommended that a program of regular maintenance & servicing is carried out by Everyway Medical authorized dealer or agent, its employees or trained service personnel. A hospital biomedical engineering department or third party service provider that is nominated by Everyway Medical or authorized distributor or agent should be capable of performing the necessary testing, servicing and documentation of the service procedures to comply with the relevant standards of the Medical Device Directive. A program of electrical safety inspections is highly recommended to confirm the continual safety of the practitioners and patients.



WARNING

PRIOR CARRYING OUT ANY SERVICING OR MAINTENANCE PROCEDURES, DISCONNECT THE POWER CORD FROM THE MAIN WALL SOCKET (ELECTRIC MODELS ONLY). ALL ELECTRICAL SERVICING OR MAINTENANCE MUST BE PERFORMED BY A QUALIFIED PERSONNEL. BLUE or BROWN WIRES MUST NOT BE CONNECT TO THE EARTH TERMINAL.

MAINTENANCE

- 1 A visual inspection should be carried out daily prior to use. Check for any signs of damage and ensure that all nuts, bolts, screws etc. are present, secure and fitted properly. DO NOT over-tighten nuts, bolts screws as this may cause binding between two components and/or juddering.*
- 2 Routine servicing or repair must be carried out by qualified servicing personnel*
- 3 Always refer to the Service Section in the Instruction Manual when in doubt of any servicing procedures.*
- 4 Regular inspection and servicing should be carried out every six month of normal use. If the product is used more frequently, the duration between inspections and servicing should be narrowed down to every three month.*
- 5 Check whether each section of the table top is securely bolted to the supporting frame. If any bolts or screws are found loose, tighten it prior to use.*
- 6 Check whether the Gas Struts underneath the table top operate smoothly when a table section is moved throughout the moveable range. The table top should be LOCKED once the Release Lever is released.*
- 7 For Electric Models: Check all cables connected to the control box - Power Cord, Cable from Controllers, Cable connected to the Actuators/Micro-Switches and look for any cuts, abrasions and or any other signs of deterioration. If found, please consult your authorized dealer / agent and purchase necessary parts for replacement.*
- 8 Check whether the connectors to the control box from the actuator are secured in their designated socket and the Main Power Cord is connected securely to the Main Wall Socket.*

Trouble Shooting

Issues

The Table Top seizes to move nor operate when (1) the Main Power Cord is connected securely to the Main Wall Socket and (2) All Cables are connected correctly & securely to the Control Box.

Solution

- 1) Do you see a constant Green Light on the control box when power is plugged into the wall?
(The LED is located at the end panel where the cover can be lifted off)
If NOT, either the power cord is not plugged-in securely to the main wall socket or there may be a high possibility of a faulty or broken control box.
Solution: the Control Box requires replacing
- 2) When the Hand or Foot Controls' Buttons are pressed either up or down, do you hear a "Clicking" sound from the Control Box?
Solution: if the answer is YES - you hear the clicking sound but the actuator is not moving the table top, the actuator is not working and require replacing.

Regulation Compliance

1. Safety

ANSI/AAMI ES 60601-1
CAN/CSA-C22.2 NO. 60601-1
EN IEC 60601-1 Medical Electrical Equipment –Part 1: General Requirements for Basic Safety and Essential Performance

2. EMC

EN IEC 60601-1-2 Medical Electrical Equipment –Part 1-2: General Requirements for Basic Safety and Essential Performance – Collateral standard: Electromagnetic Compatibility – Requirements and Tests

3. Static Loading Force

EN IEC60601-2-52 Part 2-52: Particular Requirements for the Basic Safety and Essential Performance of Medical Tables, Beds or Couches

4. Gas Spring (Strut)

a. Drop Test-Dynamic Functional Load
b. Impact Test-Cyclic

5. Ignitability & Flammability (Optional)

BS 7176: Specification for resistance to ignition of upholstered furniture for non-domestic seating by testing composites

- a. BS EN 1021-1 : Furniture. Assessment of the ignitability of upholstered furniture.
Ignition source smouldering cigarette
- b. BS EN 1021-2: Furniture. Assessment of the ignitability of upholstered furniture.
Ignition source match flame equivalent
- c. BS 5852: Methods of test for assessment of the ignitability of upholstered seating by smouldering and flaming ignition sources

State of California: Department of Consumer Affairs (dca)

- a. TB117 – Requirements, Test Procedure and Apparatus for Testing the Smolder Resistance of Materials Used in Upholstered Furniture
- b. TB133 – Flammability Test Procedure for Seating Furniture for Use in Public Occupancies

6. Antimicrobial Activity Test

ASTM G 21-09 : Standard Practice for Determining Resistance of Synthetic Polymeric Materials to Fungi

7. Phthalate

EN 14372 : Child use and care articles - Cutlery and feeding utensils – Safety requirements and tests

8. Enclosure Protection of Control Box

IEC60529: Degrees of Protection Provided by Enclosure

9. Caster Wheel of Hospital Bed

BS EN12531: Casters and Wheels - Hospital Bed Casters

I. Manufacturer's Warranty

Everyway Medical Instruments Co. Ltd. or its appointed agents or dealers warrants the Product stated herein to be free from manufacturing defects in workmanship and materials (from the date of purchase) for the following parts and periods ONLY:

1 Year Manufacturer Warranty for the following parts only from the date of purchase:

- (a) Upholstery (d) Hand / Foot / Switch Controls
- (b) Castors (e) Leveling Foot Mechanism
- (c) Gas Struts

2 Year Manufacturer Warranty for the following parts only from the date of purchase:

Motorized Actuator, Control Box etc.

3 Year Manufacturer Warranty for the following parts only from the date of purchase:

Frame (Upper Frame + Twin Pillars + Lower Frame)

Everyway Medical Instruments Co., Ltd. will repair or replace, at its facility, any product found to be defective.

The warranty does not apply to any Product which has been subjected to misuse, abuse, neglect, improper packaging, damage in transit, accident or repaired or modified by anyone other than Everyway Medical Co., Ltd. authorized employees or agent, or for any other reasons not directly associated in the scope of manufacturing. The warranty covers ONLY manufacturer's defects but DOES NOT cover wear and tear under normal usage.

The Product stated herein must be serviced and maintained in accordance with the manufacturer's maintenance schedule by the manufacturer's appointed or authorized service agents. This warranty is voided immediately as to any Product which has been disassembled, repaired or modified by anyone other than authorized employees or agent of Everyway Medical Co., Ltd.

II. Limitation of Liabilities and Disclaimer of Warranties

Everyway Medical Instruments Co. Ltd. or its appointed or authorized agents or dealers shall not be liable to any person for any direct, indirect, special, incidental, or consequential damages, lost profits or medical expenses caused by any defect, failure, malfunction or otherwise of the product, regardless of the form in which any legal or equitable action that may be brought against Everyway Medical Instruments Co. Ltd. or its appointed or authorized agents or dealers (e.g. contract, negligence or otherwise). The remedy provided in I. Manufacturer's Warranty above shall constitute purchaser's sole remedy. In no event shall Everyway Medical Instruments Co., Ltd. or its appointed or authorized agents or dealers' liability under any cause of action relating to the product exceeds the purchase price of the product. (The Warranty gives Purchaser specific legal rights and Purchaser may also have other rights which vary from state to state. Some states do not allow the exclusion or limitation of incidental or consequential damages, so the above limitation may not apply to the Purchaser.)

CA65

SERVICE MANUAL

Dismantling a Gas Strut

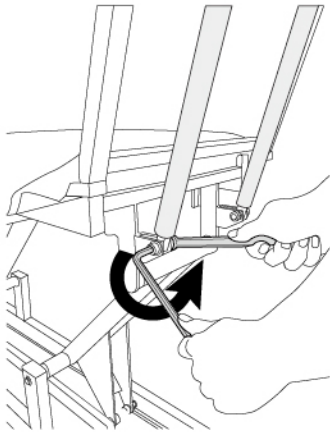
Required Tools



Spanner 17mm

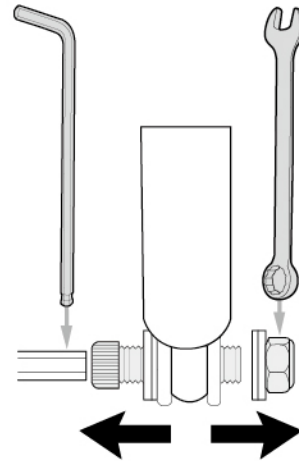


Hex Allen Key 10mm



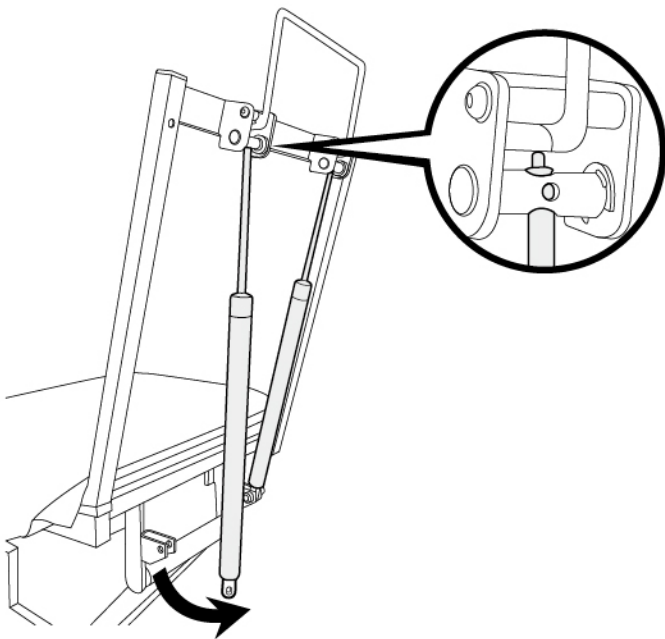
1) Dismantling a Gas Strut

Unmount the Gas Strut with a Spanner and Allen Key (Hex Screw Driver).



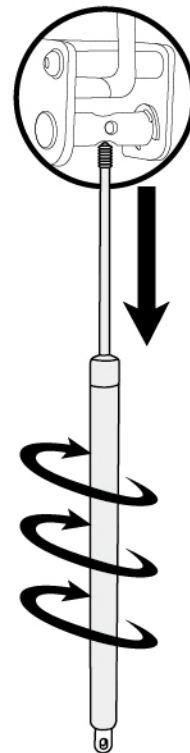
2) Dismantling a Gas Strut

Unscrew the Bolt & Nut with a Spanner and Allen Key.



3) Dismantling a Gas Strut

Swing the Gas Strut's Cylinder Body OUT of the mounting piece from the bottom.



4) Dismantling a Gas Strut

Turn the Gas Strut's Cylinder Body Anti-Clockwise to disconnect the Shaft from the cylinder mount.

Installing a Gas Strut

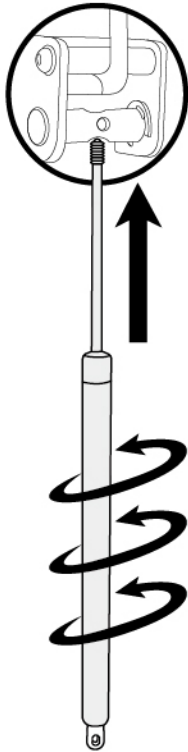
Required Tools



Spanner 17mm

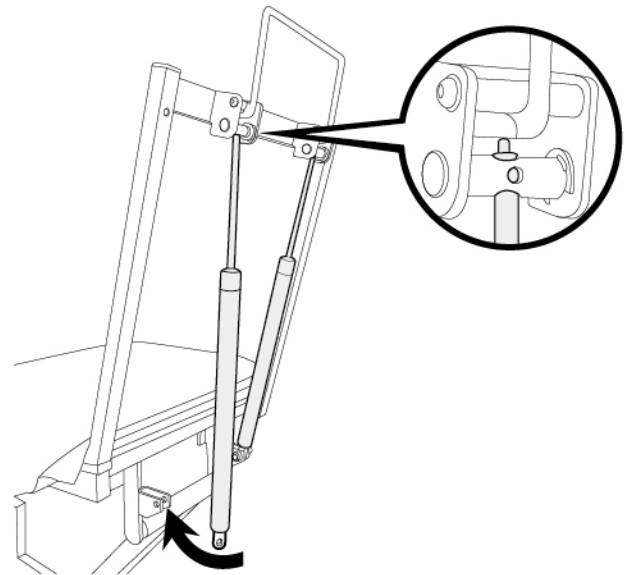


Hex Allen Key 10mm



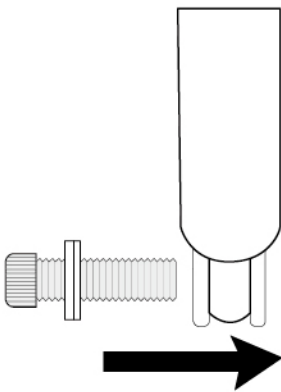
1) Install a Gas Strut

Insert the Gas Strut's SHAFT END with trigger to the cylinder mounting hole then TURN the Gas Strut Clockwise until the trigger tip just touches the lever's end.



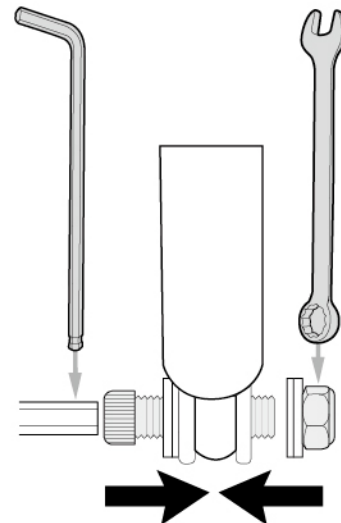
2) Install a Gas Strut

Swing the Gas Strut's Cylinder Body to the mounting piece at the bottom then align the holes before inserting the bolts.



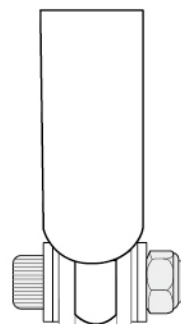
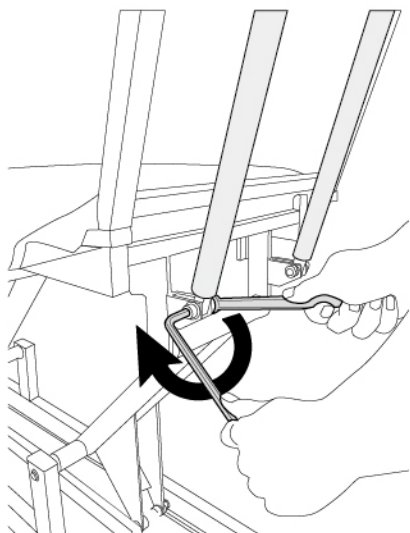
3) Install a Gas Strut

Insert the Bolt with 1 * Washer into the table mount then through the Gas Strut mount.



4) Install a Gas Strut

At the other end of the Bolt, insert 1 * Washer before tightening the Nut.



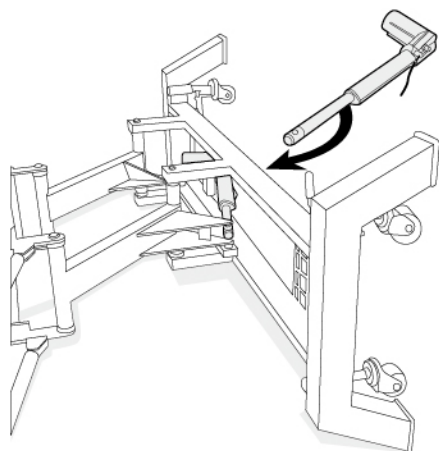
5) Install a Gas Strut

Tighten until the Bolt is FLUSH to the mount. Never overtighten the Bolt as it will restrict necessary movement and prevent smooth operation.

6) Install a Gas Strut

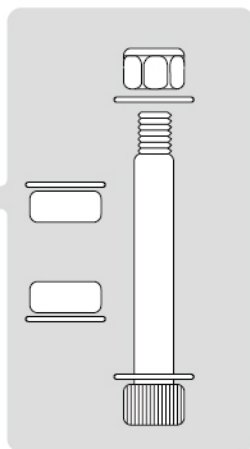
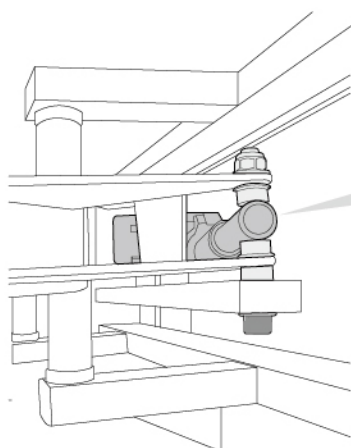
The Bolt and Nut should ONLY be FLUSHED to the Mount.

Replacing the Linear Actuator



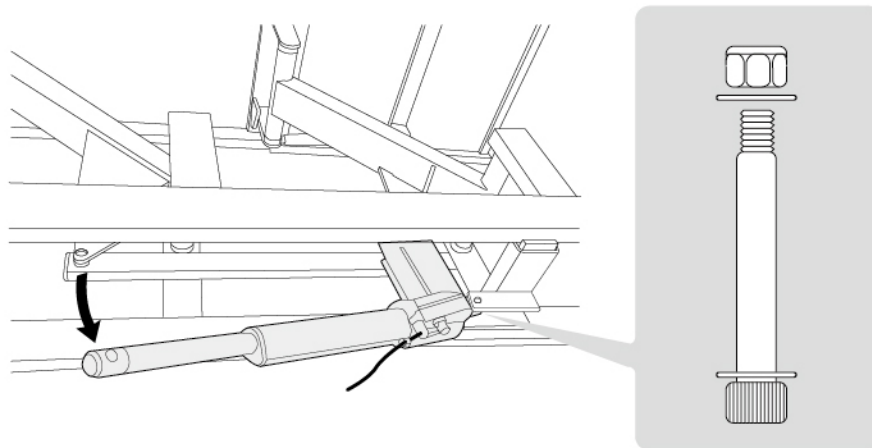
1) Replacing an Actuator (2 People Required)

First, have someone to help you to FLIP the table over on its SIDE.



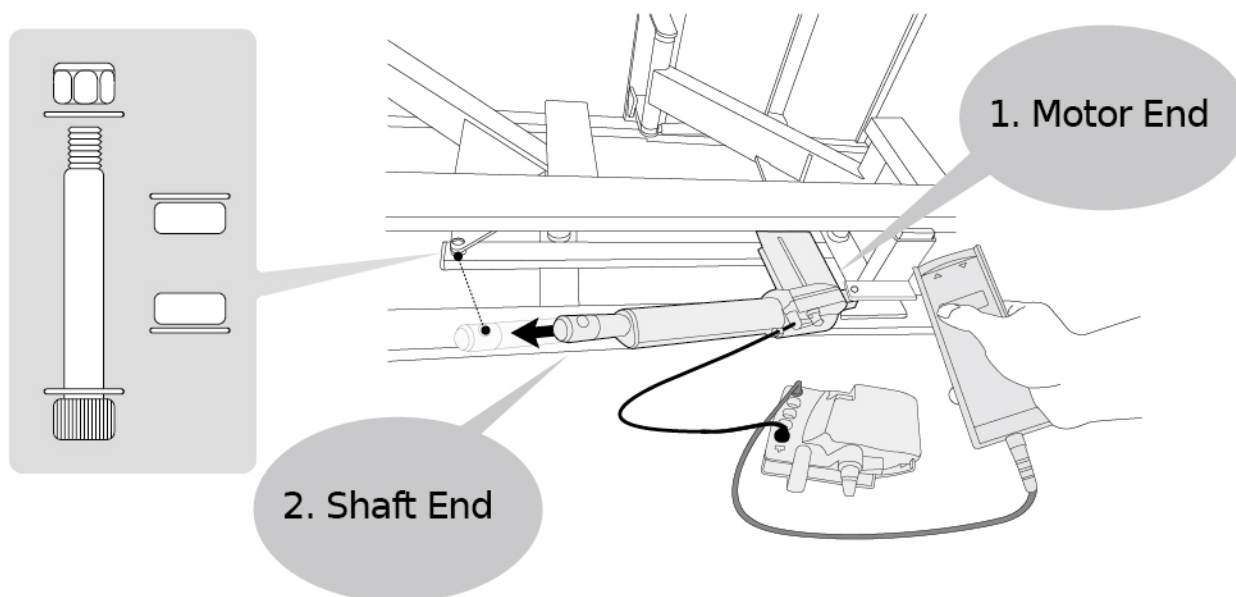
2) Replacing an Actuator

Unscrew the Bolt & Nut at the SHAFT END FIRST! When first removing the Actuator at the SHAFT END, please make a note of the arrangement of Bolt, Nut, Washer & Nylon Spacer. It will be useful when installing a new actuator later on.



3) Replacing an Actuator

Then unscrew the Bolt & Nut at the MOTOR END!



4) Replacing an Actuator

After replacing a new actuator, FIRST BOLT ON the actuator mount from the MOTOR END!

While leaving the SHAFT END unmount, connect the actuator to the control box and begin to operate by pressing the buttons on the Hand Control or switches on the Foot Control. STOP when the SHAFT END reaches and align with the PIVOT MOUNTING HOLE of the TWIN PILLARS.

Finally, insert the Bolt, Washer, Nylon Spacer and Nuts then tighten it until the nut is only FLUSH with the mount.



Everyway Medical Instruments Co., Ltd.
3F No 5 Ln 155 Sec 3 Beishen Road
ShenKeng District New Taipei City 22203 Taiwan
Tel: +886 2 2662 0038

Everyway4all LLC
14636 Central Avenue Chino, CA 91710, USA
Tel: 909 606 8889 Fax: 909 606 5166
sales@everyway4all.com

7601CT8001

