



ProDoc Series
Digital Physician Scale
PD100
PD200
Owner's Manual

0044-M340-O1 Rev E
03/17

203 E. Daugherty, Webb City, MO 64870 USA
Ph: 417-673-4631 • Fax: 417-673-2153
www.detecto.com

Technical Support: Ph: 866-254-8261 • tech@cardet.com

TABLE OF CONTENTS

INTRODUCTION	1
SPECIFICATIONS	1
Standard Features	1
PD100	2
Unpacking	2
Assembly	2
Quick Start	2
Placing the Scale	3
Placing the Display	3
Wall Mounting	3
Desk or Table Mounting	5
PD200	6
Unpacking	6
Assembly	6
Quick Start	6
BATTERY OPERATION	7
Installation/Replacement	7
Low Battery	8
Automatic Shutoff	8
Sleep Mode	8
OPTIONAL AC POWER ADAPTOR	8
OPERATION	9
Keypad Functions	9
Annunciators	11
Basic Weighing	13
Weighing with Height and BMI Measure	14
With External Height Rod or No Height Rod	14
Storing Weight with the ▼STORE Key	15
Recalling Weight with the ▲RECALL Key	16
SETUP	17
CALIBRATION	18
EVENT COUNTER	20
DISPLAY MESSAGES	21
TROUBLESHOOTING	21
CARE AND CLEANING	22

Proper Disposal

When this device reaches the end of its useful life, it must be properly disposed of. It must not be disposed of as unsorted municipal waste. Within the European Union, this device should be returned to the distributor from where it was purchased for proper disposal. This is in accordance with EU Directive 2002/96/EC. Within North America, the device should be disposed of in accordance with the local laws regarding the disposal of waste electrical and electronic equipment.

It is everyone's responsibility to help maintain the environment and to reduce the effects of hazardous substances contained in electrical and electronic equipment on human health. Please do your part by making certain that the device is properly disposed of. The symbol shown to the right indicates that this device must not be disposed of in unsorted municipal waste programs.



FCC Compliance Statement

This equipment generates, uses and can radiate radio frequency and if not installed and used in accordance with the instruction manual, may cause interference to radio communications. It has been designed within the limits for a Class A computing device pursuant to Subpart J of Part 15 of FCC rules to provide reasonable protection against such interference when operated in a commercial environment. Operation of this equipment in a residential area may cause interference in which case the user will be responsible to take whatever measures necessary to correct the interference.

You may find the booklet "How to Identify and Resolve Radio TV Interference Problems" prepared by the Federal Communications Commission helpful. It is available from the U.S. Government Printing Office, Washington, D.C. 20402. Request stock No. 001-000-00315-4.

Copyright



All rights reserved. Reproduction or use, without expressed written permission, of editorial or pictorial content, in any manner, is prohibited. No patent liability is assumed with respect to the use of the information contained herein.

Disclaimer

While every precaution has been taken in the preparation of this manual, the Seller assumes no responsibility for errors or omissions. Neither is any liability assumed for damages resulting from use of the information contained herein. All instructions and diagrams have been checked for accuracy and ease of application; however, success and safety in working with tools depend to a great extent upon the individual's accuracy, skill and caution. For this reason the Seller is not able to guarantee the result of any procedure contained herein. Nor can they assume responsibility for any damage to property or injury to persons occasioned from the procedures. Persons engaging the procedures do so entirely at their own risk.

Serial Number _____
Date of Purchase _____
Purchased From _____

RETAIN THIS INFORMATION FOR FUTURE USE

PRECAUTIONS	
Before using this scale, read this manual and pay special attention to all "WARNING" symbols:	
	IMPORTANT
	ELECTRICAL WARNING

INTRODUCTION

Thank you for purchasing our Detecto ProDoc Series Digital Physician Scale. Your scale has been designed for simple and straightforward use and to assure accuracy and dependability for years to come.

Please read this manual thoroughly before using your scale and keep it handy for future reference. It contains important instructions for installation and proper operation of your scale.

SPECIFICATIONS

Model Number	PD100 (Floor Scale with Remote Display) PD200 (Floor Scale)
Capacity PD100, PD200	480 lb x 0.2 lb (220 kg x 0.1 kg)
Weight Units	Pounds or Kilograms (selectable)
Power Requirements	Six (6) "AA" size Alkaline batteries (<i>not included</i>) OR an optional Medical device 9V AC/DC wall plug-in adapter (Cardinal part number PD-AC, includes USA plug). Also available UK plug (PD-UKPLUG) or EU plug (PD-EUPLUG).
Display	Five digit, seven segment, 1.0 inch (25 mm) high LCD
Operation Temperature	50 to 104 °F (+10 to +40 °C)
Function Keys	ON/OFF, BMI HEIGHT/ENTER, LOCK/RELEASE, UNITS, ZERO, ▲RECALL and ▼STORE
Dimensions	
PD100 Display	5.25" H x 7.87" W x 2.125" D (134 mm x 200 mm x 54 mm)
Base	3.33" H x 12.5" W x 13.0" D (85 mm x 318 mm x 330 mm)
PD200	8.75" H x 12.6" W x 16.9" D (222 mm x 320 mm x 430 mm)

Standard Features:

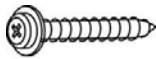
- Metric Conversion (Weight and Height)
- Body Mass Index (BMI) Calculator
- Memory Function (Store and Recall up to four weights)
- Selectable Sleep-Mode (up to 9 minutes)
- Selectable Auto Shut-Off Feature (up to 9 minutes)
- Level Indicator

PD100

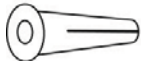
Unpacking

Remove the scale base, display, hardware pack and other components from the shipping carton. After removing from the carton, check for any damage that may have taken place during shipment. *Keep and use the original carton and packing material for return shipment if it should become necessary.* The purchaser is responsible for filing all claims for any damages or loss incurred during transit. Remove all plastic wrapping, foam fillers and cardboard material from the scale base, display and other components. You should have the following components:

- (1) Scale Base
- (1) Remote Display
- (1) Wall Bracket "A"
(includes four (4) feet for desk or table mounting)
- (1) Wall Bracket "B"
- (1) Hardware Pack, containing:
 - (2) M3.0x25 Screws and plastic wall anchors



M3.0x25 Screw



Plastic Wall Anchor

Assembly

The PD100 does not require any assembly. After installing batteries, the scale is ready for operation.

Quick Start

Although it is recommended that you read this manual before attempting to operate the scale, this section is included to provide a condensed set of instructions on installing and using the scale. At a minimum, please make certain you read all of the caution and warning statements.

- Step 1. Place the scale on the floor and then place the display at a convenient distance from the scale base.
- Step 2. Turn the scale over on the floor and then locate the battery access cover on the bottom of the scale.
- Step 3. Remove the cover, install six (6) "AA" size batteries¹ and then replace the cover.
- Step 4. Turn the scale over to the normal operating position and make sure it is level.
- Step 5. Press the **ON/OFF** key to turn the scale on.²
- Step 6. When the display is showing 0.0, have to patient step on the scale.
- Step 7. Wait a few seconds for the weight to display and then read the patient's weight.
- Step 8. Patient may now step off scale.
- Step 9. Press the **ON/OFF** key to turn the scale off.

¹ See page 7 for detailed instructions on installing the batteries.

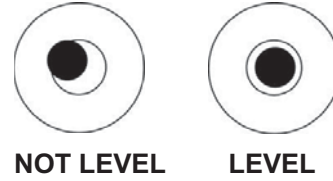
² For complete Operation and Setup instructions, refer to pages 9 to 17.

PD100

Placing the Scale

The scale should be placed on a flat, level floor or low cut carpet away from any rapidly moving air source (heating and cooling vents).

Check to make certain the scale is level. The level indicator is located at the rear of the scale. If the scale is not level (the bubble will not be centered), loosen the locking ring on all four (4) feet and adjust them as required to center the bubble and attain a level scale. Once the scale is level, lock the feet in place by tightening the adjustment locking rings against the bottom of the scale.



IMPORTANT! Any time a scale is moved or re-located, be sure to check the level bubble to make sure the scale is level before using.

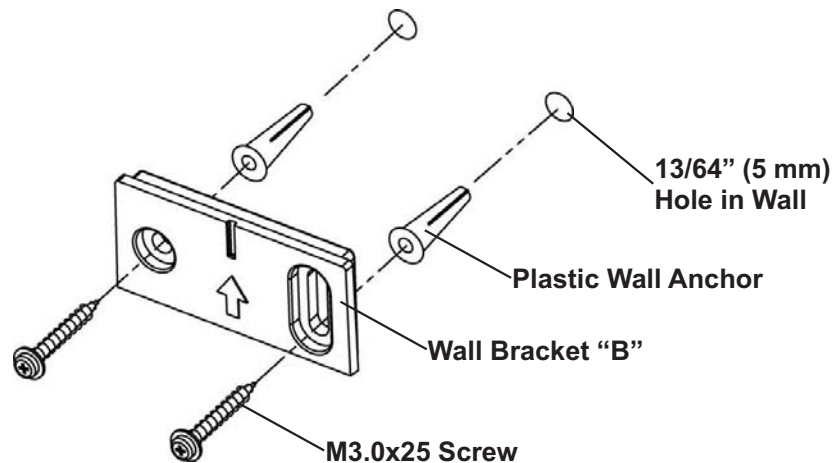
Placing the Display

The PD100 display has an 87" (220 cm) cable to allow it to be placed at a convenient position away from the scale base. A bracket is included to mount the display on a wall or the bracket (and included feet) can be used to place it on a desk for easy viewing.

Wall Mounting

1. Choose the location to mount the display on the wall. The location should be free of temperature extremes and water. It should be where the display can be easily viewed, not subject to direct sunlight and where the keypad is within easy reach of the operator.
2. Make certain the structure and mounting hardware are of sufficient strength to support the display. The mounting bracket should be securely fastened to the wall so that it cannot break loose from the mounting surface.
3. Referring to Figure No. 1 and using Wall Bracket "B" for a template, place the bracket against the wall (the notch (*arrow*) pointing up) and mark the holes to use to mount it. Remove the bracket and drill two (2) 13/64" (5 mm) holes in the wall for the mounting wall anchors.
4. Insert the wall anchors in the wall until they are flush with the wall.
5. With the notch (*arrow*) pointing up on Wall Bracket "B", insert the two (2) M3.0x25 screws through the bracket and into the wall anchors.
6. Tighten the screws to secure the bracket to the wall.

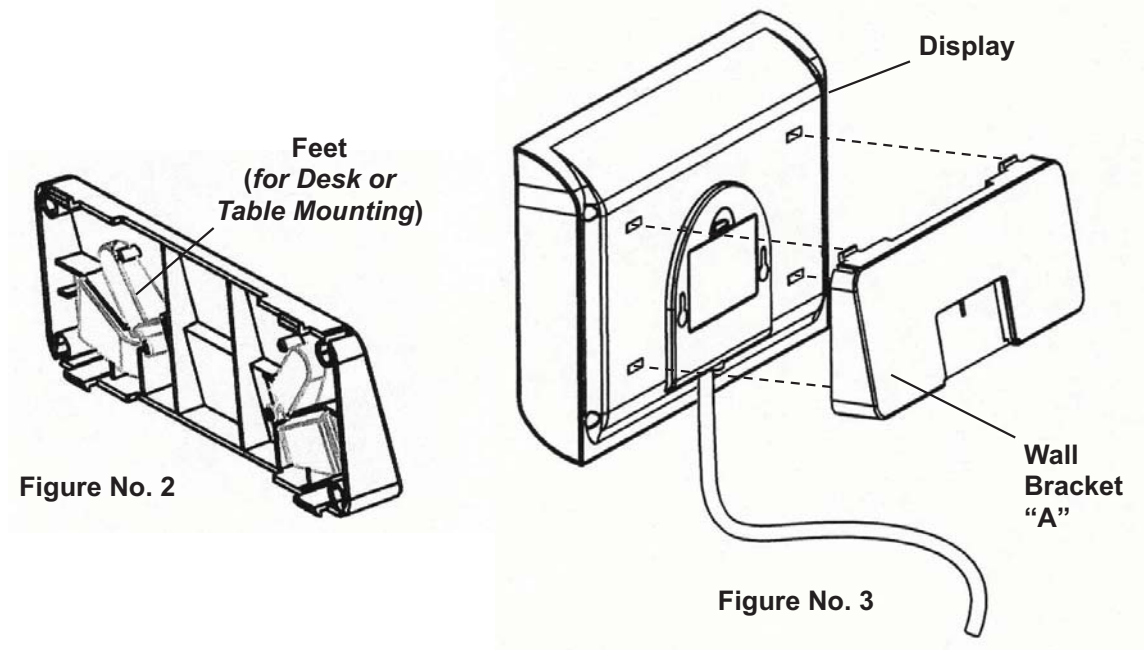
Figure No. 1



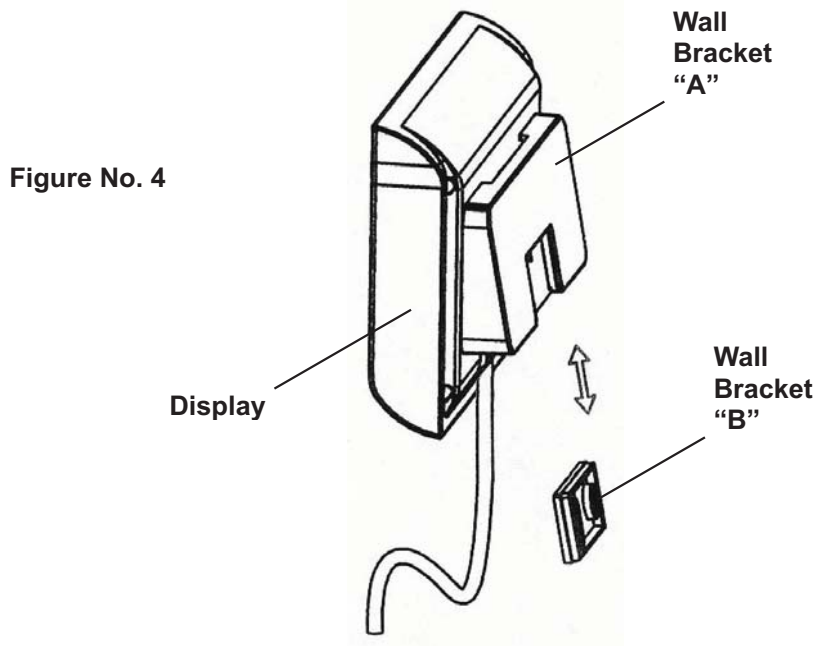
PD100

Placing the Display Wall Mounting, Cont.

7. Referring to Figure No. 2, make sure the four (4) feet of Wall Bracket "A" are placed in the bracket.



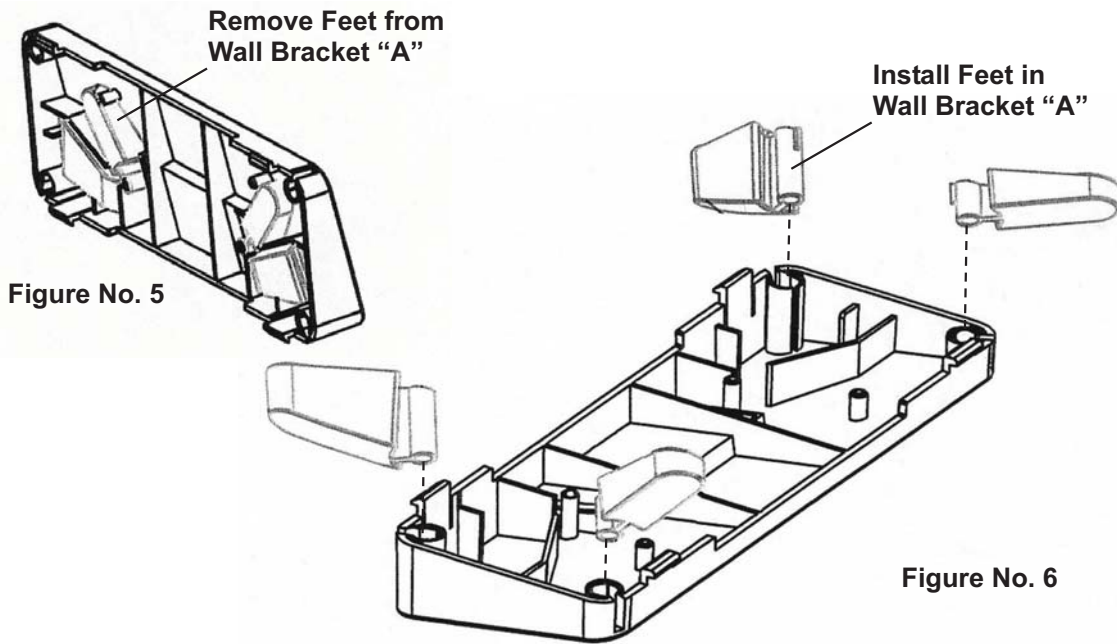
8. Next, locate the four (4) slots on the back of the display and align them with the four (4) tabs on the Wall Bracket "A". Refer to Figure No. 3.
9. Insert the tabs into the slots and press together until the bracket locks to the back of the display.
10. Referring to Figure No. 4, align the cutout in Wall Bracket "A" with Wall Bracket "B" and gently pull down to secure the display to the wall.



PD100

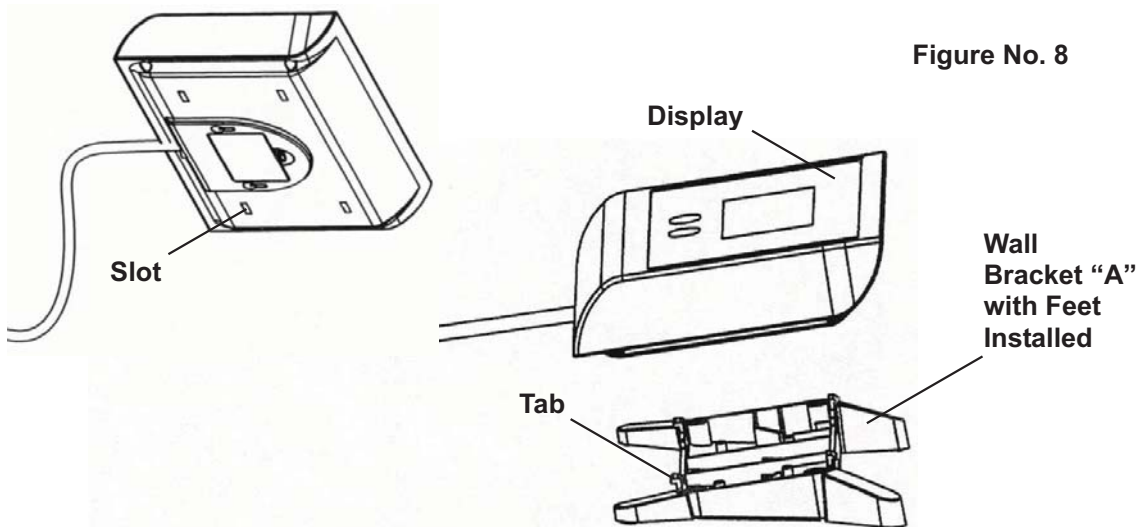
Placing the Display Desk or Table Mounting

1. The location chosen should be a stable, level surface (either a desk or solid table), free of temperature extremes and water. The display should be where it can be easily viewed, not subject to direct sunlight and where the keypad is within easy reach of the operator.
2. Referring to Figure No. 5, remove the four (4) feet from inside Wall Bracket "A" and install them in each corner of the bracket as shown in Figure No. 6.



3. Next, locate the four (4) slots in the back of the display. Refer to Figure No. 7.

Figure No. 7



4. Referring to Figure No. 8, align and insert the tabs on the bracket with the slots in the display back and press together until the bracket locks to the back of the display.

PD200

Unpacking

Remove the scale from the carton by grasping the column (not the display) and lifting up with equal force on the column and the scale base. After removing from the carton, check for any damage that may have taken place during shipment. *Keep and use the original carton and packing material for return shipment if it should become necessary.* The purchaser is responsible for filing all claims for any damages or loss incurred during transit. Remove all plastic wrapping, foam fillers and cardboard material from the scale.

Assembly

The PD200 does not require any assembly. After installing batteries, the scale is ready for operation.



Figure No. 9

Quick Start

Although it is recommended that you read this manual before attempting to operate the scale, this section is included to provide a condensed set of instructions on installing and using the scale. At a minimum, please make certain you read all of the caution and warning statements.

- Step 1.** Place the scale on the floor.
- Step 2.** Carefully turn the scale over with the display resting on the floor and then locate the battery access cover on the bottom of the scale.
- Step 3.** Remove the cover, install six (6) "AA" size batteries¹ and then replace the cover.
- Step 4.** Turn the scale over to the normal operating position and make sure it is level.
- Step 5.** Press the **ON/OFF** key to turn the scale on.²
- Step 6.** When the display is showing 0.0, have to patient step on the scale.
- Step 7.** Wait a few seconds for the weight to display and then read the patient's weight.
- Step 8.** Patient may now step off scale.
- Step 9.** Press the **ON/OFF** key to turn the scale off.

¹ See page 7 for detailed instructions on installing the batteries.

² For complete Operation and Setup instructions, refer to pages 9 to 17.

BATTERY OPERATION

Battery operation is a standard feature of the ProDoc Series Scale, although the batteries are optional (not included). You must first obtain and install six (6) "AA" size alkaline batteries before operations can begin. Batteries are contained in a battery holder inside the scale. Access is via a removable cover on the bottom of the scale.

Installation / Replacement

To install or remove the batteries, the following steps should be followed:

PD100

Turn the scale over on the floor or place it on a desk or table.

PD200

Carefully turn the scale over on the floor or place it on a desk or table with the display resting on the floor, desk or table.

1. Referring to Figure No. 22, locate the rectangular battery cover on the bottom of the scale.
2. To install or replace the batteries, first remove the battery cover by pushing in on the tab and lifting it up. Refer to Figure No. 23.

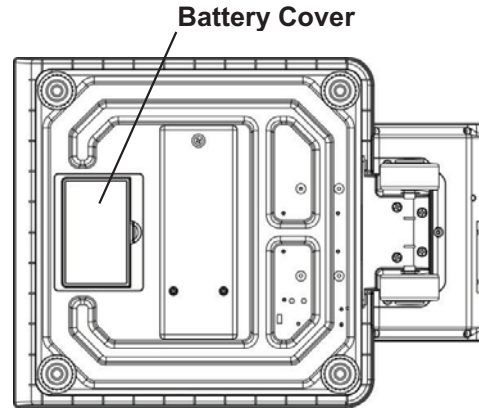


Figure No. 22

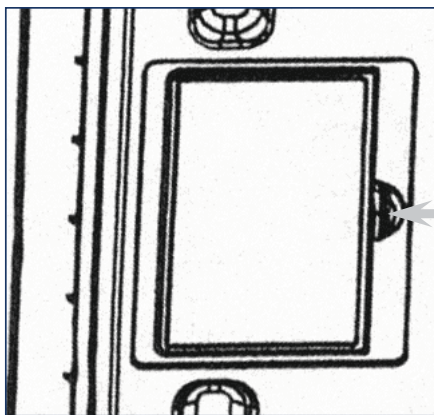


Figure No. 23

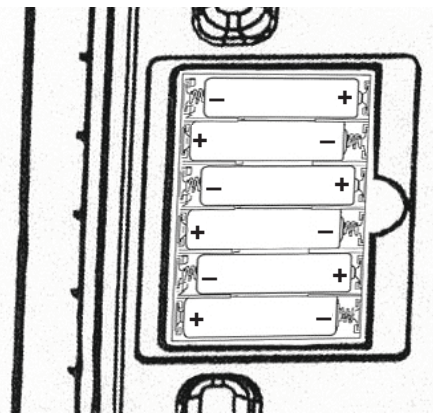


Figure No. 24

3. If installing new batteries, proceed to step 4. If replacing the batteries, remove all six (6) batteries from the battery holder and then proceed to step 4.
4. Install the six (6) new "AA" size batteries in the battery holder, noting the polarity markings located in the battery holder. See Figure No. 24.
5. Replace the battery cover (it will click when locked in place) and return the scale to the upright position.
6. Make sure the 9V AC/DC power adaptor is not plugged in to the scale.
7. Press the **ON/OFF** key.
8. The display should turn on, show all digits, the software version for a few seconds, followed by a small \square moving across the display and then show 0.0 on the display.
9. The scale is now ready for operation.
10. If the display did not turn on, remove the battery cover and check for one or more improperly positioned batteries.

BATTERY OPERATION

Low Battery

When the batteries are near the point they need to be replaced, the display will show *LoBAt*. If the battery voltage drops too low for accurate weighing, the scale will automatically shut off and you will be unable to turn it back on. When the *LoBAt* message is displayed, the operator should replace the batteries or remove the batteries and plug-in the 9V AC/DC adapter.

Automatic Shutoff

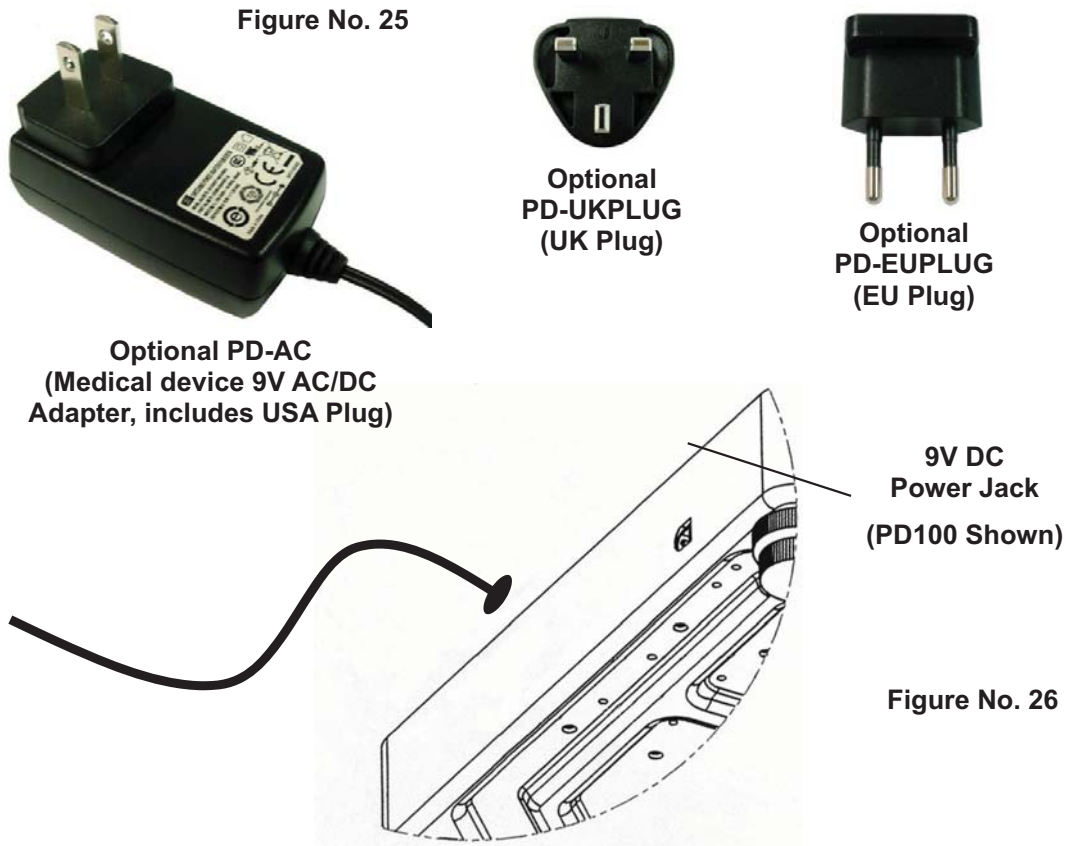
The Automatic Shutoff feature will turn the scale off after a period of inactivity (no motion or weight on scale) to prolong battery life. The period of inactivity for the automatic shutoff is selected during the setup process of the scale and can be set for up to nine (9) minutes. To turn the scale back on, you simply press the **ON/OFF** key.

Sleep Mode

The Sleep Mode feature also conserves battery power when the scale remains unused and will show *SLEEP* on the display to indicate the sleep mode has activated. The sleep mode feature requires that no key is pressed on the keypad and the scale to remain at the center of zero for a period of time to activate. The period of time for the sleep mode is also selected during the setup process of the scale and can be set for up to nine (9) minutes. When a key is pressed or weight is placed on the scale, it will wake up and return to the weight mode.

OPTIONAL AC POWER ADAPTER

To power the scale using the optional Medical device 9V AC/DC wall plug-in adapter (see Figure No. 25), connect the plug from the adapter into the power jack on the back of the scale base and then plug the power adapter into the proper electrical outlet. Refer to Figure No. 26. On models requiring 220 VAC, it is the customer's responsibility to obtain the correct power adapter plug. The scale is now ready for operation.



OPERATION

Keypad Functions

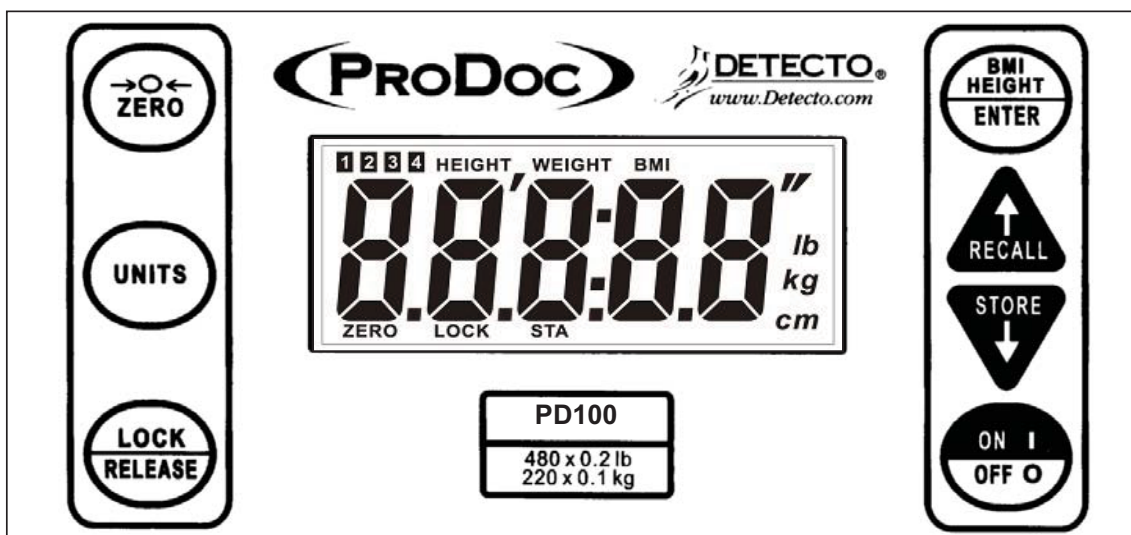


Figure No. 27



DO NOT operate the keypad with pointed objects (pencils, pens, etc).
Damage to keypad resulting from this practice is **NOT** covered under warranty.



With the scale off, pressing this key will apply power to the scale and turn on the display. If the scale is on, pressing this key will show $\square FF$ on the display and turn the scale off.



This key is used to reset the display to zero up to the zero limit set during setup and calibration of the scale.



This key is used to change the weighing units between pounds and kilograms. For example, with pounds displayed, pressing this key will change the weighting units to kilograms. **NOTE!** This feature must be enabled during setup and calibration of the scale to be operational.



The **BMI HEIGHT/ENTER** key is used to perform several functions during normal operations. Note that the scale will not respond to pressing the key unless the weight is stable.

With an external height rod or no height rod, pressing the key once allows the operator to enter the height of the patient using the **▲RECALL** or **▼STORE** keys to increment or decrement to the correct height. After entering the patient's height, pressing it again will display the Body Mass Index (BMI) calculation. Pressing it a third time, will return the display to the patient's weight.

In the Memory Function operation, pressing the **BMI HEIGHT/ENTER** key will signal the software that the desired MEM position has been selected and to store the current weight in that location.

OPERATION

Keypad Functions, Cont.



This key is used to lock and unlock the display. If the HOLD feature was enabled during setup and calibration, pressing this key will cause the display to lock onto the weight. Pressing the key again will unlock the display and return it to zero.

NOTE! The scale will not respond to pressing the **LOCK/RELEASE** key unless the weight is stable and the **STA** annunciator is turned on.



The **▲RECALL** or **▼STORE** keys are used when performing the Body Mass Index (BMI) calculation to increase or decrease the height value.



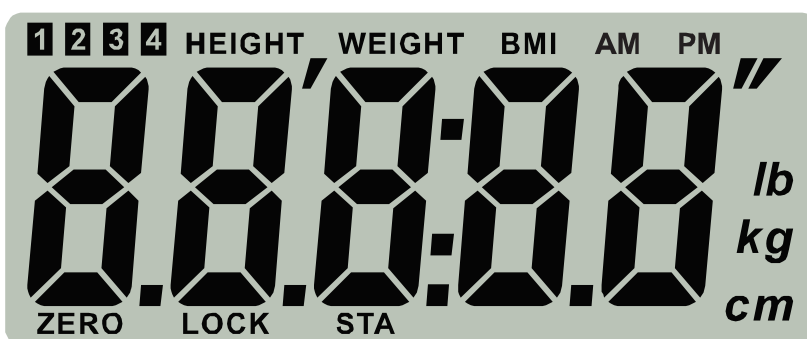
In the Memory Function operation, pressing the **▼STORE** key will select the MEM position (1 through 4) to store the current weight on the scale. Repeatedly pressing the key, will advance to the next memory location and return to the first.

Pressing the **▲RECALL** key will select the MEM position (1 through 4) and display the weight stored in that location. Repeatedly pressing the key, will step through each memory location and return to displaying the current weight.

OPERATION

Annunciators

The annunciators are turned on to indicate that the scale display is in the mode corresponding to the annunciator label or that the status indicated by the label is active.



ZERO

This annunciator is turned on to indicate that the weight displayed is within +/- 1/4 division of the center of zero.

LOCK

This annunciator is turned on to show that the scale is locked onto the displayed weight.

STA

This annunciator is turned on when the weight on the scale is stable.

lb

This annunciator is turned on to indicate that the displayed weight is in pounds.

kg

This annunciator is turned on to indicate that the displayed weight is in kilograms.

cm

This annunciator is turned on when the displayed height measurement is in centimeters.

' "

These annunciators are turned on when the displayed height measurement is in feet and inches.

1 2 3 4

The 1, 2, 3, or 4 annunciator will flash to show which MEM position is being selected in the Memory Function operation.

The annunciator will stop flashing and stay on once a stable weight has been stored. When the patient steps off the scale, the annunciator will turn off and the scale will automatically return to the weight only mode.

When recalling a stored weight, the annunciator will flash while displaying the weight. If a key is not pressed for 5 seconds, the annunciator will stop flashing and the scale will automatically return to display the current weight.

HEIGHT

This annunciator is turned on when the scale is in the height measurement mode.

WEIGHT

This annunciator is turned on when the scale is in the weight only mode.

OPERATION

Annunciators, Cont.

BMI (Body Mass Index)

This annunciator is turned on when displaying the calculated Body Mass Index.

AM

This annunciator is turned on to indicate that the displayed time is AM (before midday).

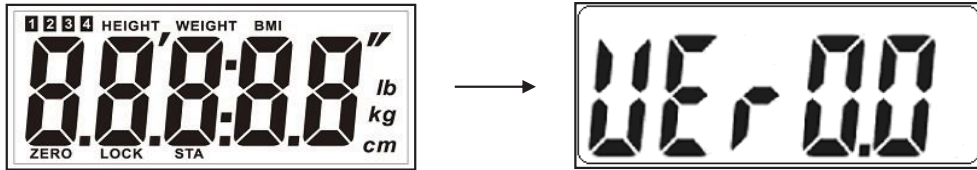
PM

This annunciator is turned on to indicate that the displayed time is PM (after midday).

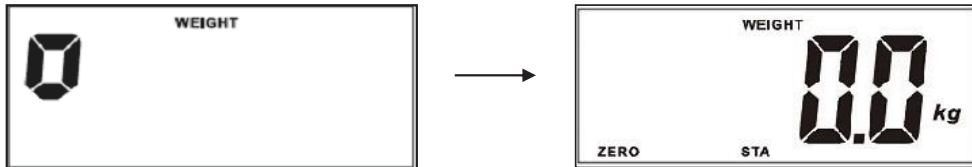
OPERATION

Basic Weighing

1. Press **ON/OFF** key.
2. The display will turn on, show all digits and then the software version will be displayed for a few seconds.



3. Next, a small 0 is shown and moves across the display until a stable zero is established.



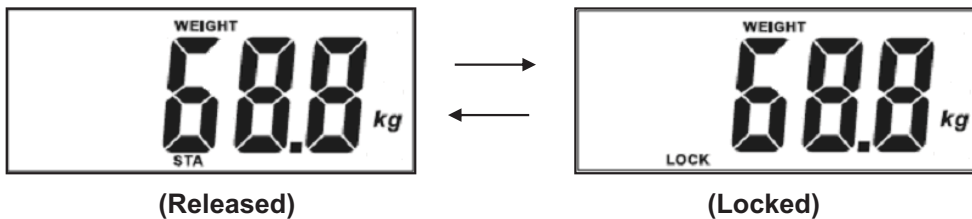
4. After establishing zero, the scale will show 0.0 on display.

NOTE! If the power up zero is too large, the display will show *E-r-0* for a few seconds, then show *oFF* and turn the scale off.



5. Press **UNITS** key to toggle between kilograms and pounds. The kg or lb annunciator will turn on to show which weighing unit is active.
6. Patient may now step on scale.
7. Read and record weight displayed.

NOTE! Press the **LOCK/RELEASE** key (when the **STA** annunciator is turned on) to lock the current weight reading. Once the weight has been recorded, press the **LOCK/RELEASE** key again to release the current weight reading.



8. Patient may now step off scale.
9. To turn scale off, press **ON/OFF** key. Display will show *oFF* and turn off.
 - If the Automatic Shutdown feature has been enable, the scale will turn off after a pre-defined time of inactivity (no motion or weight on scale).
 - If the Sleep Mode feature is active and the scale display is showing 0.0 kg/lb (remains at the center of zero) for a pre-defined time, the display will show *SLEEP*.

OPERATION

Weighing with Height and BMI Measure

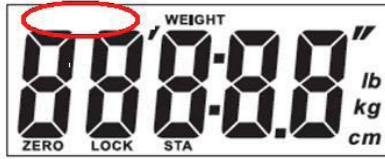
With External Height Rod or No Height Rod

1. Press **ON/OFF** key.
2. The display will turn on, show all digits, the software version for a few seconds and then a small \square is shown and moves across the display until a stable zero is established.
3. Next, after establishing zero, the scale will show 0.0 on display.
NOTE! If the power up zero is too large, the display will show $Err0$ for a few seconds, then show $\square FF$ and turn the scale off.
4. Press **UNITS** key to toggle between kilograms and pounds. The kg or lb annunciator will turn on to show which weighing unit is active.
NOTE! Changing the units between kilograms and pounds will also change the height measurement between centimeters (cm) and feet/inches (' / ").
5. Patient may now step on scale.
6. Read and record weight displayed.
NOTE! Press the **LOCK/RELEASE** key (when the **STA** annunciator is turned on) to lock the current weight reading. Once the weight has been recorded, press the **LOCK/RELEASE** key again to release the current weight reading.
7. Press **BMI HEIGHT/ENTER** key.
8. Scale display show $5'05.0"$ if units is pounds or 158.0 cm if units is kilograms.
9. Enter the patient's height by pressing the **▲RECALL** or **▼STORE** keys to increment or decrement to correct height.
NOTE! If units is pounds, height is increased or decreased by $0.5"$. If units is kilograms, height is increased or decreased by, 1.0 cm .
10. Press **BMI HEIGHT/ENTER** key again and scale displays BMI (Body Mass Index).
11. Read and record patient's BMI.
12. Press **BMI HEIGHT/ENTER** key once more and scale returns to patient's weight.
NOTE! While the patient is still standing on the scale, pressing the **BMI HEIGHT/ENTER** key will toggle between BMI and weight display. Also, note that once patient steps off scale, display automatically returns to weight only mode.
13. Patient may now step off scale.
14. Return height rod to starting position.
15. To turn scale off, press **ON/OFF** key. Display will show $\square FF$ and turn off.
 - If the Automatic Shutdown feature has been enable, the scale will turn off after a pre-defined time of inactivity (no motion on scale).
 - If the Sleep Mode feature is active and the scale display is showing 0.0 kg/lb (remains at the center of zero) for a pre-defined time, the display will show $SLEEP$.

OPERATION

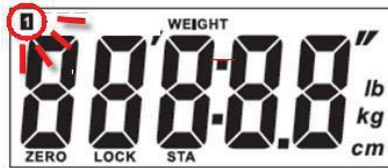
Storing Weight with the ▼STORE Key

1. Have patient step on scale. Note that all MEM position annunciators are off.



(Weight Only Mode)

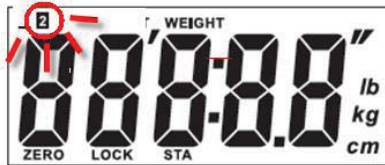
2. With the patient on scale and display showing patient's weight, press and hold the ▼STORE key.
3. The MEM 1 position annunciator will flash.



(Position 1 Selected)

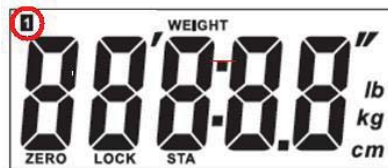
4. Press the ▼STORE key until the desired MEM position is selected. The MEM position annunciators (1, 2, 3 or 4) will flash to show which position is currently selected.

NOTE! Repeatedly pressing the ▼STORE key will advance to the next MEM position and return to the MEM 1 position.



(Position 2 Selected)

5. When the desired MEM position has been selected, press the BMI HEIGHT/ENTER key to store the weight.
6. Once the key has been pressed, the software will capture the weight in this location. As soon as there is no motion and weight is stable, the MEM position annunciator will stop flashing and remain on to show a stable weight has been stored.



(Weight Stored in Position 1)

7. Patient may now step off scale.
8. Once the patient steps off scale, the display automatically returns to weight only mode. Any previously turned on MEM position annunciators will turn off.

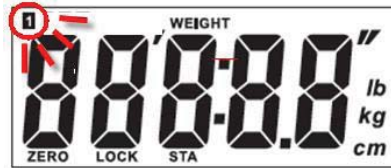
OPERATION

Recalling Weight with the **▲**RECALL Key

1. With the scale in the weight only mode (0.0 on display), press and hold the **▲**RECALL key.

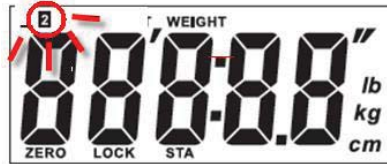
NOTE! If no weight is stored in a MEM location, then the display will show 0.0.

2. The MEM 1 position annunciator will flash and the stored weight will be displayed.



(Position 1 Selected)

3. Press the **▲**RECALL key again. The MEM 2 position annunciator will flash and the stored weight will be displayed.



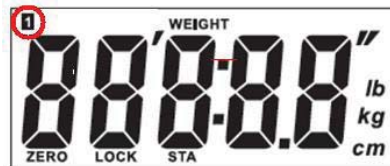
(Position 2 Selected)

4. Press the **▲**RECALL key again. The MEM 3 position annunciator will flash and the stored weight will be displayed.
5. Press the **▲**RECALL key again. The MEM 4 position annunciator will flash and the stored weight will be displayed.
6. Press the **▲**RECALL key again. The scale will return to displaying the current weight.



NOTE! When recalling memory, if a key is not pressed for 5 seconds, the scale will automatically return to display the current weight.

7. To store a new weight in the currently selected MEM position, with the patient on scale and display showing patient's weight, press the **▼**STORE key.
8. Once the key has been pressed, the software will capture the weight in this location. As soon as there is no motion and the weight is stable, the MEM position stops flashing and remains on to show a stable weight has been stored.



(Weight Stored in Position 1)

9. Patient may now step off scale.
10. Once patient steps off scale, the display automatically returns to weight only mode. Any previously turned on MEM position annunciators will turn off.

SETUP

Your ProDoc Series Scale has been pre-configured at the factory and should not require changes for use in most applications. However, if the factory settings do not meet the requirements of your operation, the following describes the setup process for your scale.

To Enter Setup

1. With the scale off, press and hold the **ZERO** key and then press the **ON/OFF** key.
2. The display will turn on all digits, show the software version for a few seconds and then change to show *Unit _* (where *_* is the current setting).
3. Release all keys.
4. The scale is now ready for setup.



IMPORTANT! When a prompt and value displayed are acceptable, press the **BMI HEIGHT/ENTER** key to save the setting and proceed to the next prompt. To change a setting, press the **▲RECALL** or **▼STORE** keys to select a new value and then press the **BMI HEIGHT/ENTER** key to save the new setting and advance to the next prompt.

Unit _ • Unit Setting

If the value displayed is acceptable, press the **BMI HEIGHT/ENTER** key and proceed to the next prompt. Otherwise, press the **▲RECALL** or **▼STORE** keys to select a new value and then press the **BMI HEIGHT/ENTER** key to save it and proceed to the next prompt.

- | | |
|----------------------|----------------------|
| 1 = Pounds Only | 2 = Kilograms Only |
| 3 = Pounds/Kilograms | 4 = Kilograms/Pounds |

NOTE! If 1 or 2 (Pounds only or Kilograms only) are selected, the **UNITS** key will be disabled.

ASH _ • Automatic Shutoff

If the value displayed is acceptable, press the **BMI HEIGHT/ENTER** key and proceed to the next prompt. Otherwise, press the **▲RECALL** or **▼STORE** keys to select a new value (from 00 to 9 minutes in 1 minute increments) and then press the **BMI HEIGHT/ENTER** key to save it and proceed to the next prompt.

NOTE! Selecting 00 disables the automatic shutoff feature.

SLP _ • Sleep Mode

If the value displayed is acceptable, press the **BMI HEIGHT/ENTER** key. Otherwise, press the **▲RECALL** or **▼STORE** keys to select a new value (from 00 to 9 minutes in 1 minute increments) and then press the **BMI HEIGHT/ENTER** key.

NOTE! Selecting 00 disables the sleep mode feature.

Once the **BMI HEIGHT/ENTER** key has been pressed at the Sleep Mode prompt, all Setup Process settings (current or new values) will be saved and the Setup Process will be finished. The display will show *OFF* and then shut the scale off.



NOTE! When you have finished changing Setup, the configuration counter will be increased by one.

CALIBRATION

Your ProDoc Series Scale was calibrated at the factory and should not require adjustment. In the event that the scale should need re-calibration, the following describes the calibration procedure. To maintain the instrument's high degree of accuracy, a qualified technician should perform this function.

Before beginning calibration, the following equipment is required:

150 kg (330 lbs) of calibrated test weight

To Enter Calibration

1. With the scale off, press and hold the **ZERO** and the **BMI HEIGHT/ENTER** keys and then press the **ON/OFF** key.
2. The display will show *CAL*.
3. Release all keys.
4. The scale is now ready for calibration.



IMPORTANT! When a prompt and its value displayed are acceptable, press the **BMI HEIGHT/ENTER** key to retain the current setting and proceed to the next prompt. To change a setting, press the **▲RECALL** or **▼STORE** keys to select a new value and then press the **BMI HEIGHT/ENTER** key to save the new value and advance to the next prompt.

USA (SET ZERO LIMIT)

This prompt selects whether the scale is used in the USA and has a zero limit or outside the USA with no zero limit.

With display showing *USA*, press **BMI HEIGHT/ENTER** key to show current setting. If the value displayed is acceptable, press the **BMI HEIGHT/ENTER** key and proceed to the next prompt. Otherwise, press the **▲RECALL** or **▼STORE** keys to select a new value and then press the **BMI HEIGHT/ENTER** key to save it and proceed to the next prompt.

0 = +/- 2% Limit (with +9d max capacity) **1** = No Limit in zero setting (with +4% max capacity)

Hold (HOLD MODE) "Lock Feature"

With display showing *HOLD*, press **BMI HEIGHT/ENTER** key to show current setting. If the value displayed is acceptable, press the **BMI HEIGHT/ENTER** key and proceed to the next prompt. Otherwise, press the **▲RECALL** or **▼STORE** keys to select a new value and then press the **BMI HEIGHT/ENTER** key to save it and proceed to the next prompt.

0 = Disable Hold Mode **1** = Enable Hold Mode



NOTE! The Hold Mode "lock feature" is for non-commercial applications and must be disabled for "Legal for Trade" applications.

CALIBRATION, CONT.



IMPORTANT! This scale is equipped with an acceleration of gravity constant function which allows the scale to be calibrated in one location and then adjusted to match the acceleration of gravity at the location where it will be used.

SETECC (SET CALIBRATED GRAVITY CONSTANT)

The display will alternate between showing the **SETECC** prompt and the current calibrated gravity constant value setting. This setting (e.g. **9 .787**) is the acceleration of gravity constant value for the location where the scale was calibrated.

With display showing **SETECC**, press **BMI HEIGHT/ENTER** key to show current setting. If the value displayed is acceptable, press the **BMI HEIGHT/ENTER** key and proceed to the next prompt. Otherwise, press the **▲RECALL** or **▼STORE** keys to select a new value and then press the **BMI HEIGHT/ENTER** key to save it and proceed to the next prompt. Allowable values are 9.700 through 9.900.

CALECC (SET OPERATED GRAVITY CONSTANT)

The display will alternate between showing the **CALECC** prompt and the current operated gravity constant value setting. This setting (e.g. **9 .813**) is the acceleration of gravity constant value for the location where the scale will be operated.

If the value displayed is acceptable, press the **BMI HEIGHT/ENTER** key and proceed to the next prompt. Otherwise, press the **▲RECALL** or **▼STORE** keys to select a new value and then press the **BMI HEIGHT/ENTER** key to save it and proceed to the next prompt. Allowable values are 9.700 through 9.900.

NOTE! By default, the USA gravity constant will be used in non-OIML applications.

CALE n (CALIBRATE SCALE) “Recommended to use 150kg for Calibration”

- Step 1.** The display will change to show **CALE n**.
- Step 2.** To skip calibration and save the previous settings, press the **BMI HEIGHT/ENTER** key. The scale will turn off automatically. Proceed to Step 12.
- Step 3.** Otherwise press the **▲RECALL** or **▼STORE** keys to select Y (Y = Yes, start calibration) and then press the **BMI HEIGHT/ENTER** key.
- Step 4.** Make certain the scale platform is empty and free of debris. Note that the internal count will be shown on the display.
- Step 5.** When the reading is stable, press the **BMI HEIGHT/ENTER** key to save the zero reference point.
- Step 6.** Place the calibrated test weights on the scale platform.
- Step 7.** Input the test weight value digits using the **▲RECALL** or **▼STORE** keys and then press the **BMI HEIGHT/ENTER** key.
- Step 8.** Weight reading will be stored when reading is stable and **STA** is shown.
- Step 9.** The display will show **OFF** and then shut the scale off.
- Step 10.** Remove the test weights from the scale platform.
- Step 11.** All settings and the new calibration have been saved.
- Step 12.** The scale is now ready for normal operation.



NOTE! When you have finished the Calibration procedure, the calibration counter will be increased by one.

EVENT COUNTERS

The ProDoc Series Scale has been designed with an Event Counter type of security seal. When selected, the ProDoc display will show a 3-digit number representing the Calibration counter and then a 3-digit number representing the Setup counters.

To Review the Event Counter

1. If scale is on, press **ON/OFF** key.
2. Display will show *OFF* and turn scale off.
3. Press and hold the **LOCK/RELEASE** key and then press the **ON/OFF** key.
4. The display will turn on all digits and show the software version for a few seconds.
5. Release all keys.
6. The display will show *CALCH* for two seconds and then change to show the 3-digit calibration counter.
7. Next, the display will show *SEtCH* for two seconds and then change to show the 3-digit setup counter.
8. To return to normal operation, press the **UNITS** key.
9. Otherwise, press **ON/OFF** key to turn off scale.

DISPLAY MESSAGES

The ProDoc Series Scale is equipped with software that tests various portions of the scale's circuitry and verifies proper operation. Should a problem be detected, a message will be displayed alerting the operator to that condition. The following lists the messages displayed and their meaning:

Display	Meaning
<i>E r r 0</i>	This will be displayed for a few seconds when the scale cannot establish zero and then the display will show <i>o F F</i> and turn the scale off. Refer to the TROUBLESHOOTING section below.
<i>E r r 3</i>	This will be displayed if there is a communication problem between the display unit and scale base <u>or</u> between the scale and digital height rod.
<i>E E P</i>	This will be displayed if the EEPROM IC has some problem. Please consult your scale service representative.
<i>o F F</i>	Displayed to indicate scale is turning off.
<i>b A t</i>	Displayed when the batteries are near the point they need to be replaced.
<i>O C A P</i>	Scale weight exceeds scale capacity.

TROUBLESHOOTING

Your scale has been designed to provide you with years of trouble-free operation. In spite of this, troubles sometimes happen. Before calling for service assistance you should make some initial checks to verify that a problem does exist. The following describes several types of symptoms along with suggested remedies.

PROBLEM	POSSIBLE SOLUTIONS
Display does not turn on	<p>Battery Operation:</p> <ul style="list-style-type: none"> • Check if batteries are installed and correctly. • Are batteries discharged? Remove old batteries and replace with new ones. <p>AC Operation:</p> <ul style="list-style-type: none"> • Is 9V AC/DC power adapter fully inserted into wall receptacle? • Check wall receptacle for proper AC power. Try another electrical appliance in same receptacle, does it work? • Check circuit breaker. • Has there been power failure?
Incorrect weight displayed	Ensure that the scale platform isn't touching an adjacent object. Have proper operation procedures been followed?
Display shows <i>E r r 0</i> and shuts off	If the platform is not empty (patient is on scale) when powering up, the display will show <i>E r r 0</i> and turn off. Remove any weight from platform (have patient step off scale) and power up the scale again. If scale continues to show <i>E r r 0</i> and turn off, consult your scale service representative.
Display shows a moving small <i>o</i>	If the display shows a moving small <i>o</i> when powering up, insure the scale is stable and wait for a moment until the display shows <i>0.0</i> . If scale continues to show a moving small <i>o</i> , please consult your scale service representative.

CARE AND CLEANING

- **DO NOT** submerge scale in water, pour or spray water directly on the display.
- **DO NOT** use acetone, thinner or other volatile solvents for cleaning.
- **DO NOT** expose scale to temperature extremes.
- **DO NOT** place scale in front of heating/cooling vents.
- **DO** clean the scale and display with a damp soft cloth and mild non-abrasive detergent.
- **DO** remove power before cleaning with a damp cloth.
- **DO** provide clean AC power and adequate protection against lightning damage.
- **DO** keep the surroundings clear to provide clean and adequate air circulation.

