

# Revolution Wheelchair Attachment

**PART #: F-705S3**

**WEIGHT CAPACITY:**  
350 POUNDS - STANDARD REVOLUTION  
300 POUNDS - DEEP DRAFT REVOLUTION

**MANDATORY**  
LEAVE THIS MANUAL WITH LIFT OWNER

Read and follow all instructions.  
Lift safety can only be ensured if installed and operated according to these instructions.

- NEVER permit children to play on or around the lift
- Do not allow children to use the lift without adult supervision
- NEVER apply direct water pressure to the electronics
- NEVER use the lift with a dry pool



LIFT NAME	PART NUMBER	SETBACK (min)	SETBACK (max)
REVOLUTION with anchor	F-700RL	21"	28"
REVOLUTION no anchor	F-702RLNA	21"	28"
REVOLUTION DEEP DRAFT	F-702RLNA-DD	21"	34"

## READ CAREFULLY

Check entire box and all packing materials for parts. Before beginning assembly, read the instructions and identify parts using the figures and parts listed in this document.

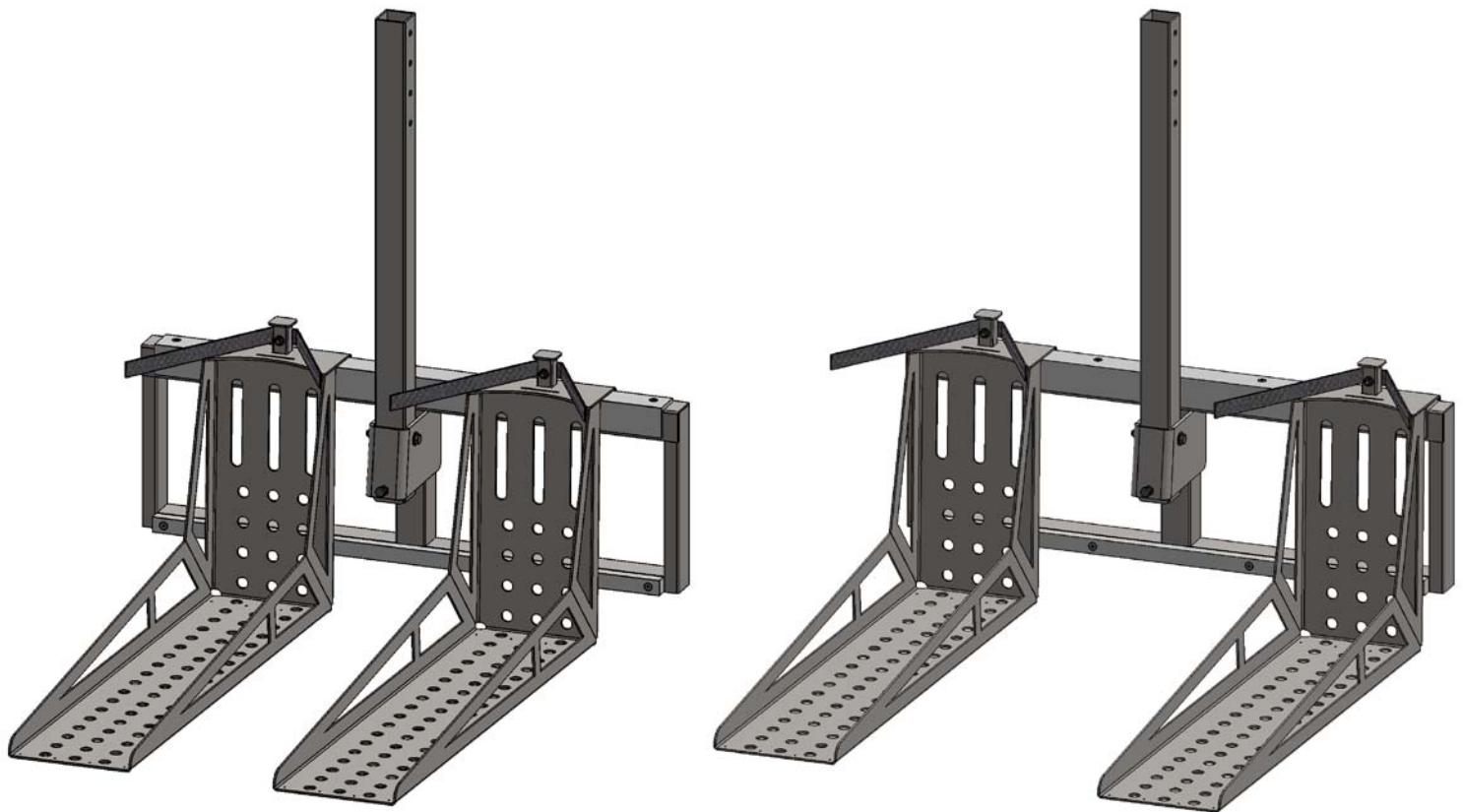
It is critical that all parts be carefully inspected prior to installation. If any damage occurred in transit, Aqua Creek Products, LLC must be notified within three days of receipt of unit.

Proper installation cannot be overstressed, as an improper installation voids Aqua Creek's warranty and may affect the safety of the user.

# Wheelchair Attachment Overview

Before using the wheelchair attachment for the first time, read these instructions thoroughly to understand all operating and safety features.

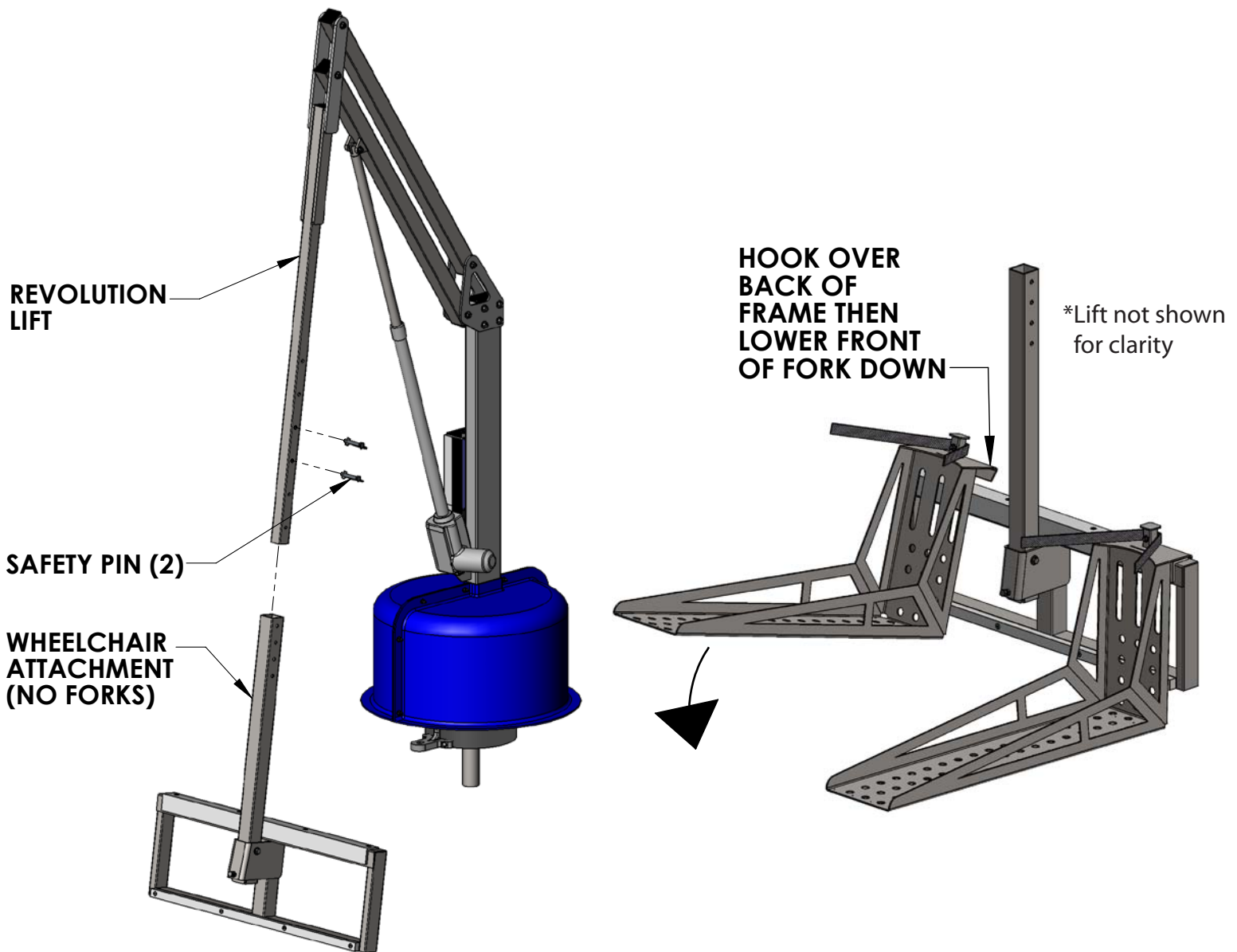
The Revolution Wheelchair Attachment has been designed to be both safe and easy to use. This product was designed to fit almost any wheelchair. The forks adjust in and out to match the width of the users wheelchair. The pictures below show the wheelchair picker with the forks in and with the forks positioned further apart.



# Installation Instructions

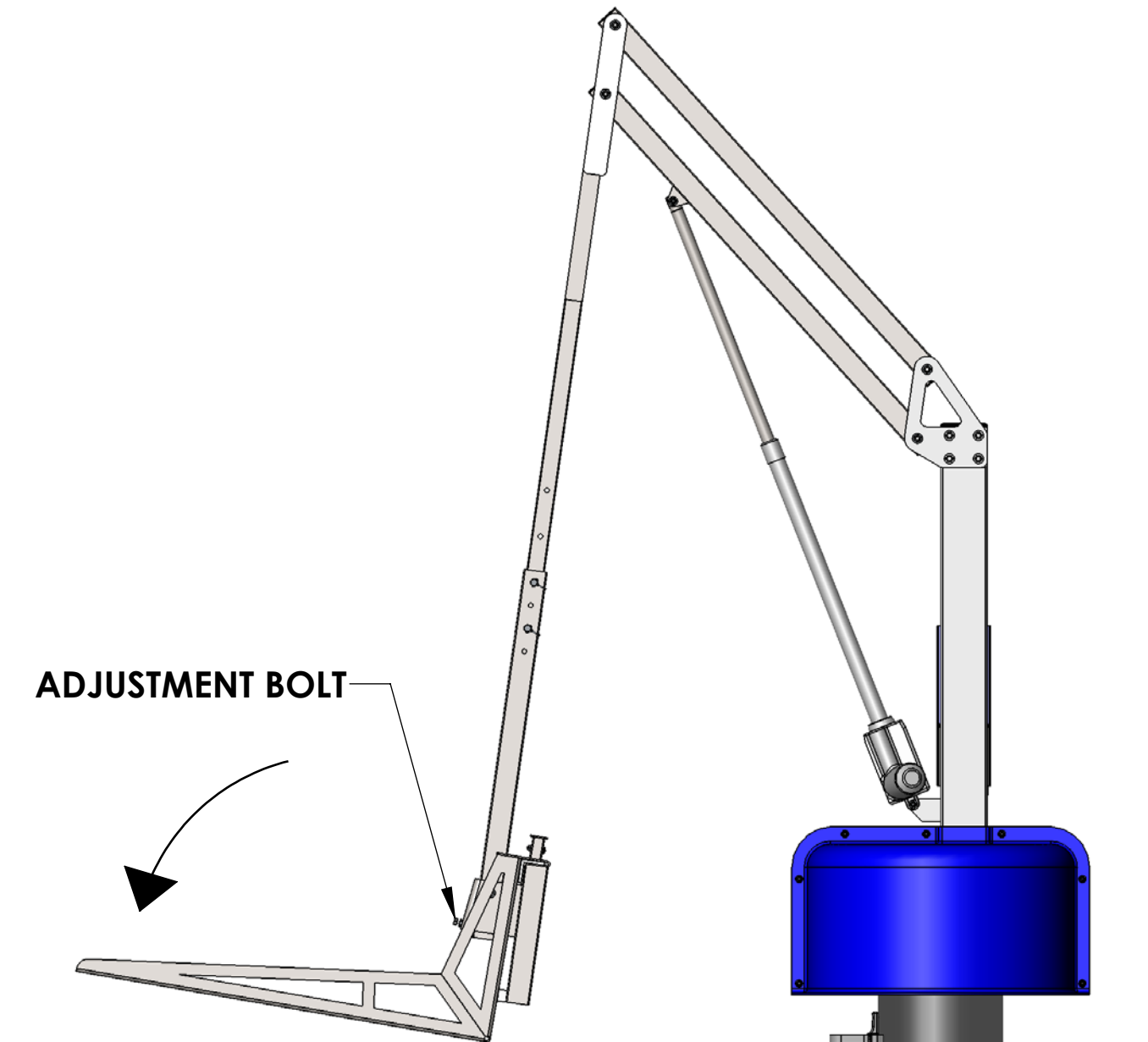
To install the Wheelchair Attachment onto the Revolution lift;

1. Raise the Revolution lift to its highest position.
2. Remove the two (2) 3/8" hex bolts from the chair arm, and slide the chair/chair cradle off of the chair arm.
3. Slide the wheelchair attachment frame, without the forks, onto the seat arm. Using the supplied safety pins, pin it onto the seat arm. To get the wheelchair as deep as possible into the pool/spa, use the lower positions. For less depth, or to clear a low wall or curb, use higher positions. Adjust as needed for your application.
4. Close the clips to lock the safety pins in place.
5. Attach the forks to the wheelchair attachment frame. NOTE: Forks could fall, if not installed after frame is attached to lift, causing serious injury. Always attach forks last.



# Angle Adjustment

Before attaching the wheelchair to the wheelchair attachment, lower the attachment until it just touches the deck floor. The front or back of the picker may hit the floor first. If the back hits first, as pictured below, loosen the adjustment bolt to rotate the front end down to the deck. If the front hits first, tighten the adjustment bolt to rotate the front end up until the back and front are running parallel to the deck floor.



# Operating Instructions

In order to use the wheelchair attachment as intended, there must be ample space on the deck to back the wheelchair onto the wheelchair attachment's fork assembly. Follow the instructions below to properly install the wheelchair to the attachment.

1. Begin by backing the wheelchair up to, but not on, the attachment forks. Line the forks up with the wheels, as shown in FIGURE 1. Be sure the wheelchair is very close to centered with the attachment.
2. Roll the wheelchair back over the attachment forks until the rear wheels bump up against the back of the forks. See FIGURE 2.
3. Set wheelchair brakes!!
4. Attach the safety straps (both sides) around the rear wheels, as shown in FIGURE 3 on page 6. Tighten the straps until they are snug, make sure the wheels are strapped tightly against the back of the forks.
5. Push the UP button on the handset and raise the attachment until it is high enough to clear any deck interferences. See FIGURE 4 on page 6.
6. Press either the LEFT or RIGHT button on the handset and rotate the lift until the attachment is located over the water. See FIGURE 5 on page 7.
7. Push the DOWN button to lower the wheelchair attachment into the water, as shown in FIGURE 6 on page 7.

\*Lift not shown  
for clarity

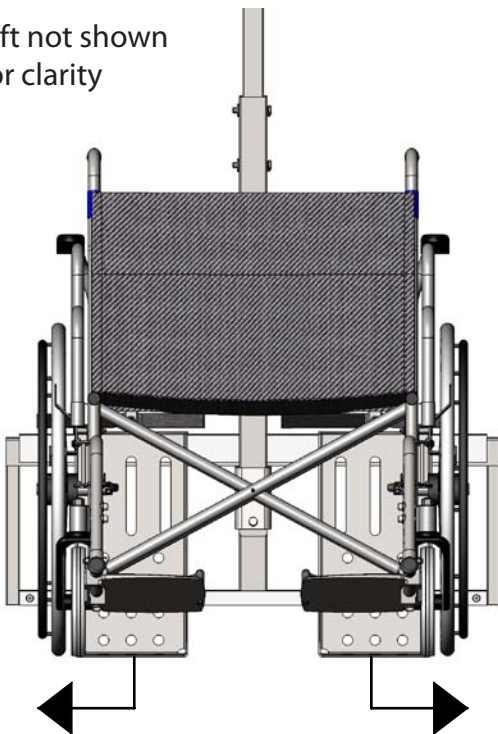
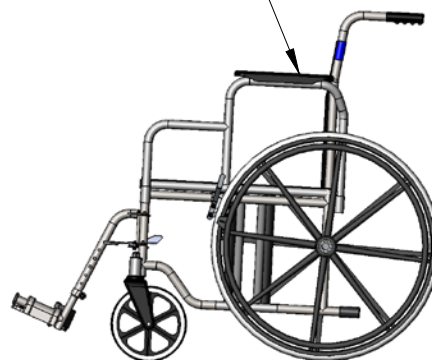


FIGURE 1

STAINLESS STEEL  
WHEELCHAIR



WHEELCHAIR  
ATTACHMENT

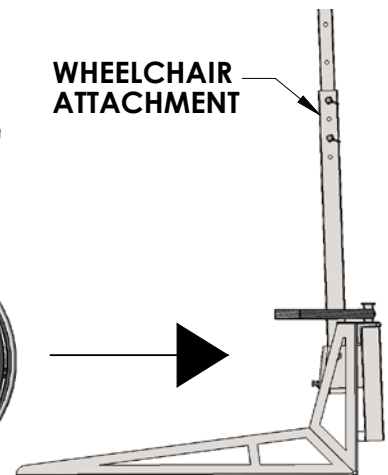


FIGURE 2

# Operating Instructions

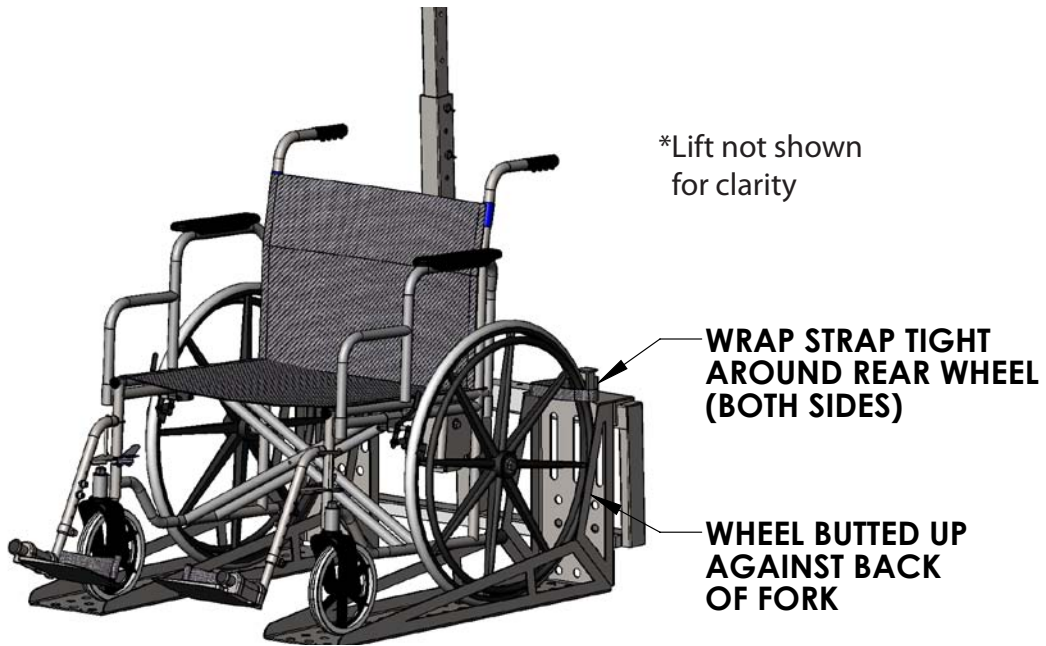


FIGURE 3

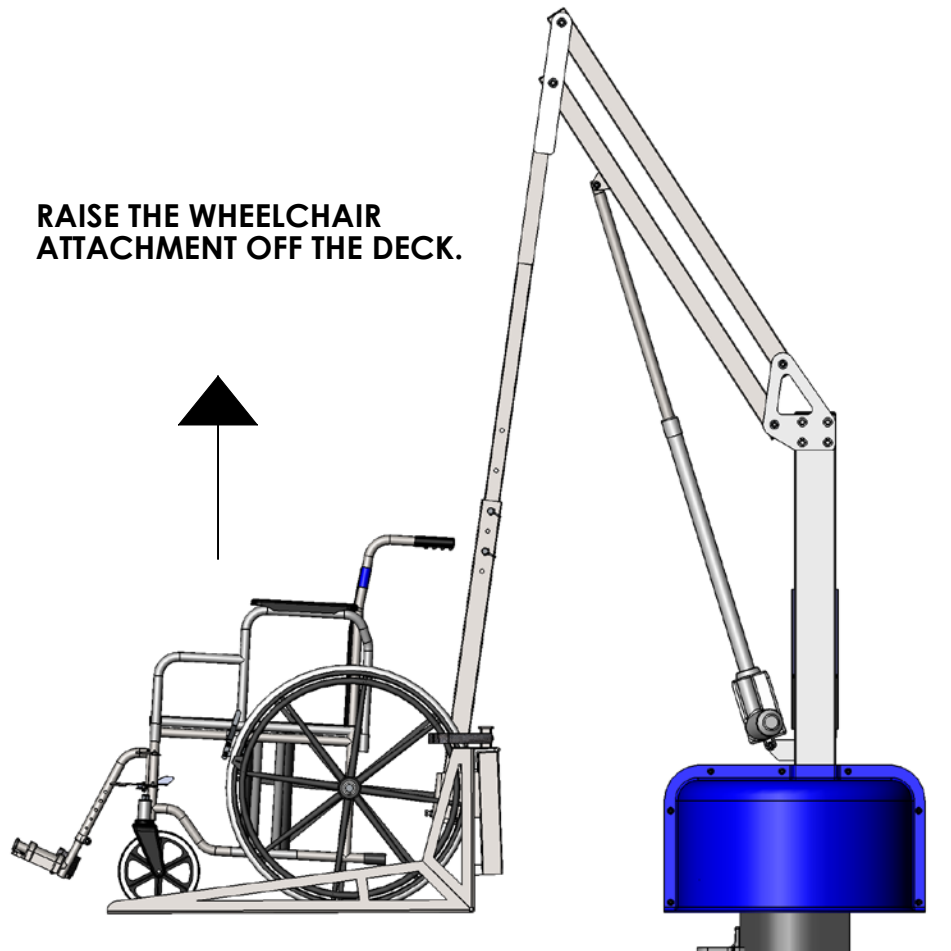
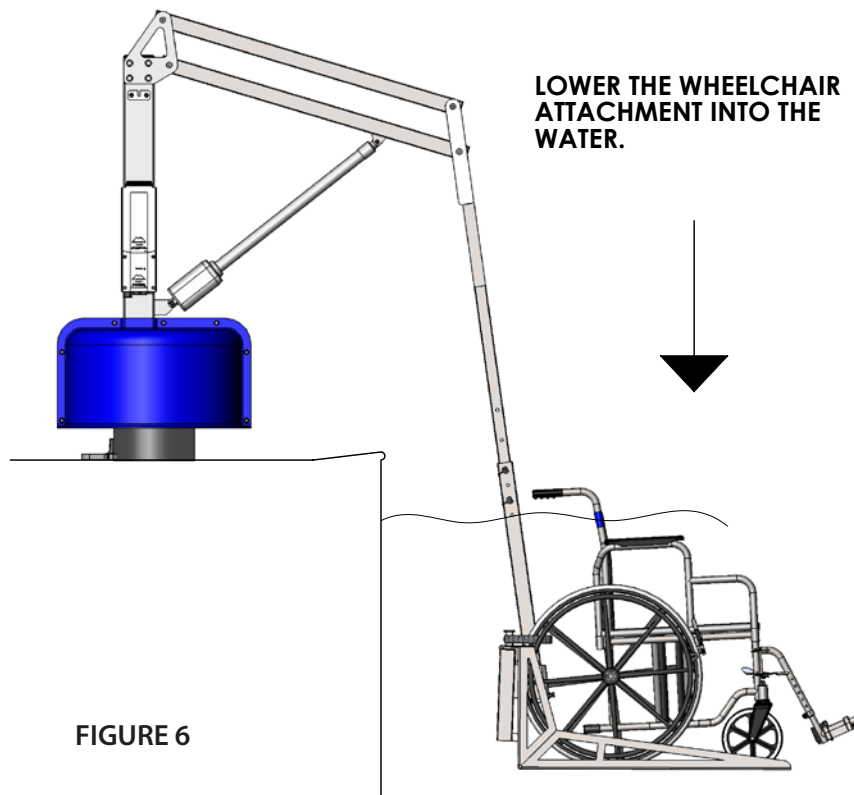
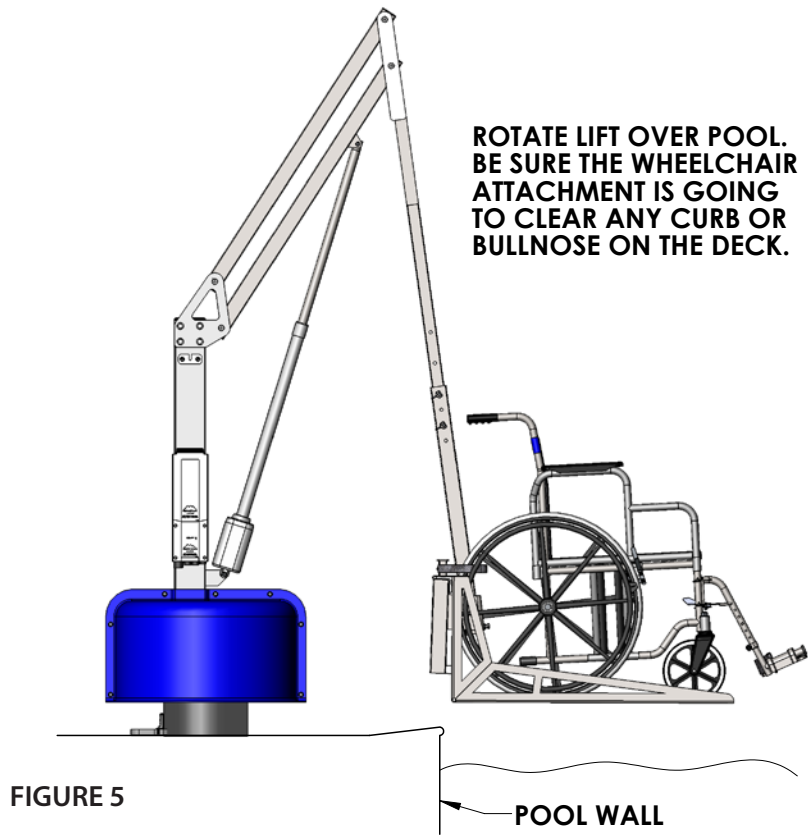
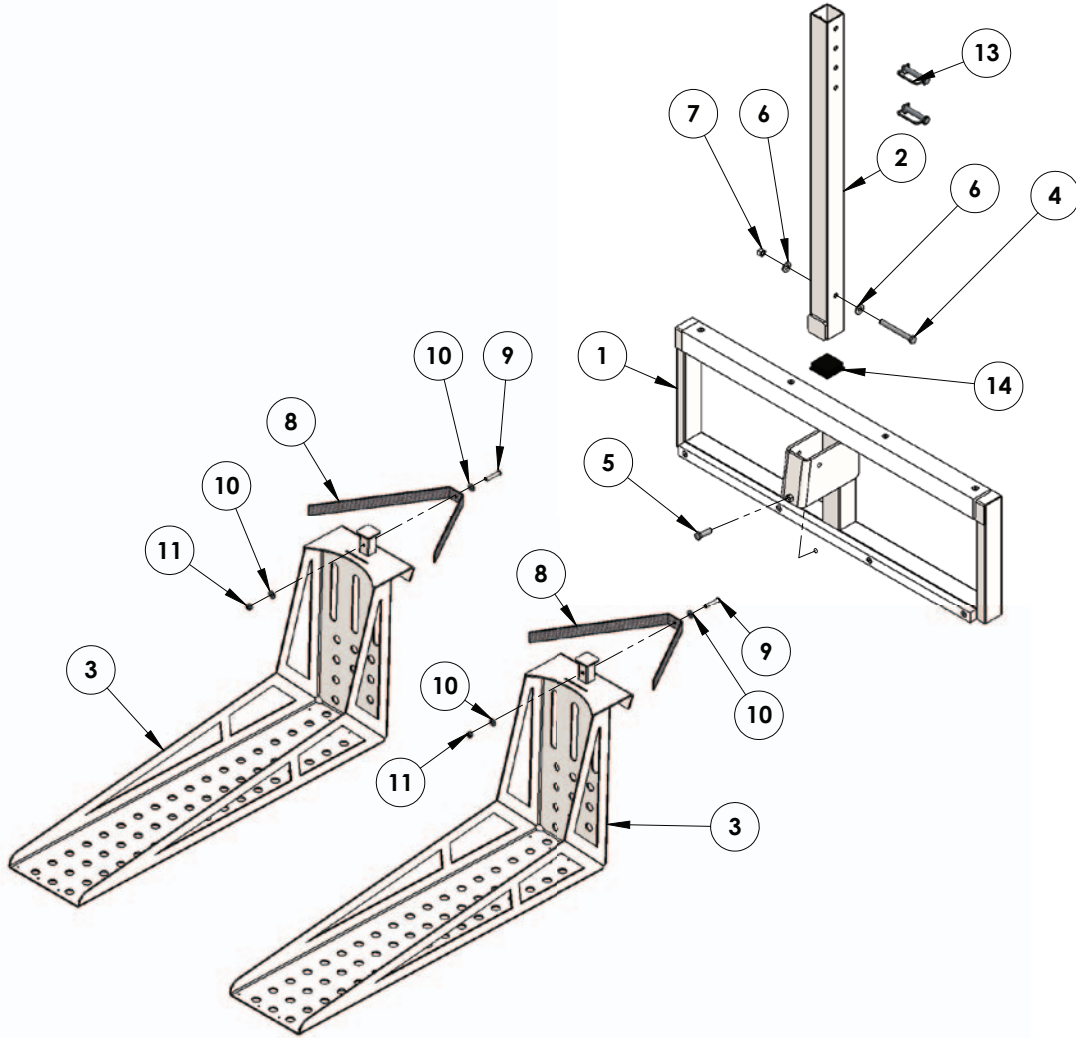


FIGURE 4

# Operating Instructions



# Wheelchair Attachment Parts List



ITEM #	QTY	PART #	DESCRIPTION
1	1	WCF-100-00	REAR FRAME ASSEMBLY
2	1	WCF-200-00	ADJUSTABLE WHEEL FORK WELDMENT
3	2	WCF-400-00	ADJUSTABLE ATTACHMENT POLE WELDMENT
4	1	BH 3/8 X 3-1/4	BOLT, 316 SS, 3/8-16 X 3 1/4 HCS
5	1	BH 3/8 X 1-1/4	BOLT, 316 SS, 3/8-16 X 1 1/4 HCS
6	2	WF 3/8	WASHER, FLAT, 3/8, 316 SS
7	1	NN 3/8	NUT, 316 SS, NYLOCK, 3/8"-16
8	2	MGF-SST-00	SAFETY STRAP WITH BUCKLES
9	2	BB 1/4 X 1-1/2	BOLT, 316 SS, 1/4-20 X 1 1/2 BHCS
10	4	WF 1/4	WASHER, FLAT, 1/4, 316 SS
11	2	NN 1/4	NUT, 316 SS, NYLOCK, 1/4"-20
12	1	NHJ 3/8	NUT, 316 SS, HEX, 3/8"-16, JAM NUT
13	2	SNAP PIN 3/8 X 2-1/4 SS	PIN, 18-8 SS, SNAP PIN 3/8" X 2-1/4"
14	1	SQR-2-10-14	2X2 SQUARE BLACK CAP



**AQUA CREEK PRODUCTS, LLC LIMITED ONE (1) YEAR WARRANTY:  
WHEELCHAIR ATTACHMENT  
(ITEM #: F-705S3)**

Aqua Creek Products Wheelchair Attachments have a Limited 1-year Warranty, not including wear components. Aqua Creek Products, LLC (a.k.a. Aqua Creek) warrants to the original end user that all non-wear components when properly assembled in accordance with assembly and installation instructions, and properly used and maintained, shall be free from defects in material and workmanship for a period of one (1) year from the date of original purchase, provided that Aqua Creek receives prompt notice in writing of any defect or failure and satisfactory proof thereof.

This warranty specifically excludes reimbursement for labor to remove, repair, or install the product and any freight charges. These warranties do not cover any damages due to accident, misuse, abuse, negligence or failure to properly maintain any products, or normal wear and tear from day to day operations. In the event that any products are altered, repaired, or improperly installed or improperly used by anyone without the prior written approval by Aqua Creek, all warranties are void. **IMPORTANT: AMOUNT OF WEIGHT PLACED ON PRODUCT SHALL NOT EXCEED ITS RATED CAPACITY.** It is the responsibility of the product owner to verify the weight of the patron for warranty claim purposes and to ensure that the product is not overloaded. Non-payment for product to Aqua Creek may void warranty

Excluded wear components include but are not limited to; safety straps and buckles as well as other components that do wear with normal daily use.

To initiate a warranty claim, the owner of an Aqua Creek product must provide the place of purchase, in writing, with a full description of the product, its serial number, the dates of purchase and installation, and the exact nature of the defect. Within thirty (30) days after receipt of a written warranty claim by Aqua Creek, and barring any unforeseen delays, the place of purchase will be notified of Aqua Creek's decision regarding the claim.

If requested by Aqua Creek, any defective product must be returned, freight prepaid by customer, to Aqua Creek's designated factory location or duly appointed distributor for inspection and/or repair. Aqua Creek will, at its option, repair or replace the failed or defective item, and deliver the repaired product or replacement to the customer. All freight charges are the responsibility of the customer. Products returned to Aqua Creek for which Aqua Creek provides replacement under this limited warranty shall become the property of Aqua Creek. A new warranty period shall NOT be established for the repaired or replaced products. Such products shall remain under warranty only for the remainder of the original warranty period on the original products purchased.

This written limited warranty constitutes the final, complete and exclusive statement of warranty terms. No person or organization is authorized to make any other specific or implied warranties or representations on behalf of Aqua Creek.

THE WARRANTIES SET FORTH HEREIN ARE IN LIEU OF ALL OTHER WARRANTIES, EXPRESSED OR IMPLIED, WHICH ARE HEREBY DISCLAIMED AND EXCLUDED, INCLUDING WITHOUT LIMITATION ANY WARRANTY OF MERCHANTABILITY OR FITNESS FOR A PARTICULAR PURPOSE OR USE.

THE SOLE AND EXCLUSIVE REMEDIES FOR BREACH OF ANY AND ALL WARRANTIES WITH RESPECT TO THE PRODUCTS SHALL BE LIMITED TO REPAIR OR REPLACEMENT AT AQUA CREEK'S DESIGNATED FACTORY LOCATION, OR DULY APPOINTED DISTRIBUTOR, OR IN PLACE AT AQUA CREEK'S OPTION. IN NO EVENT SHALL AQUA CREEK'S LIABILITY EXCEED THE ENTIRE AMOUNT PAID TO AQUA CREEK BY THE ORIGINAL PURCHASER FOR THE FAILED OR DEFECTIVE PRODUCT.

IN NO EVENT SHALL AQUA CREEK PRODUCTS, LLC BE LIABLE FOR ANY INCIDENTAL, CONSEQUENTIAL, SPECIAL, INDIRECT, PUNITIVE OR EXEMPLARY DAMAGES OR LOST PROFITS FROM ANY BREACH OF THIS LIMITED WARRANTY OR OTHERWISE.

THIS WARRANTY GIVES YOU SPECIFIC LEGAL RIGHTS AND YOU MAY ALSO HAVE OTHER RIGHTS, WHICH MAY VARY FROM STATE TO STATE. SOME STATES DO NOT ALLOW THE EXCLUSION OR LIMITATION OF INCIDENTAL, SPECIAL OR CONSEQUENTIAL DAMAGES, SO SOME OF THE ABOVE LIMITATIONS OR EXCLUSIONS MAY NOT APPLY TO YOU.

Aqua Creek Products, LLC  
9889 Garrymore Lane  
Missoula, MT 59808  
Toll Free: (888) 687-3552  
Local/Intnl: (406) 549-0769  
[www.aquacreek.com](http://www.aquacreek.com)