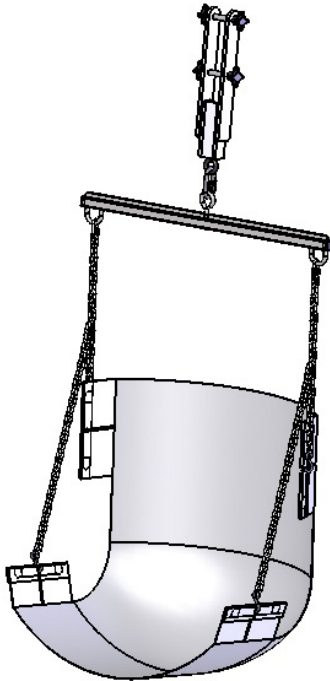




Aqua Creek Products
THE LEADERS IN RECREATION, FITNESS AND ABILITY!



PART NUMBER: F-706RLSS
REVOLUTION LIFT: SLING-SEAT OPTION

500 LB. [227 kg] MAXIMUM CAPACITY

MANDATORY – LEAVE THIS MANUAL WITH LIFT OWNER

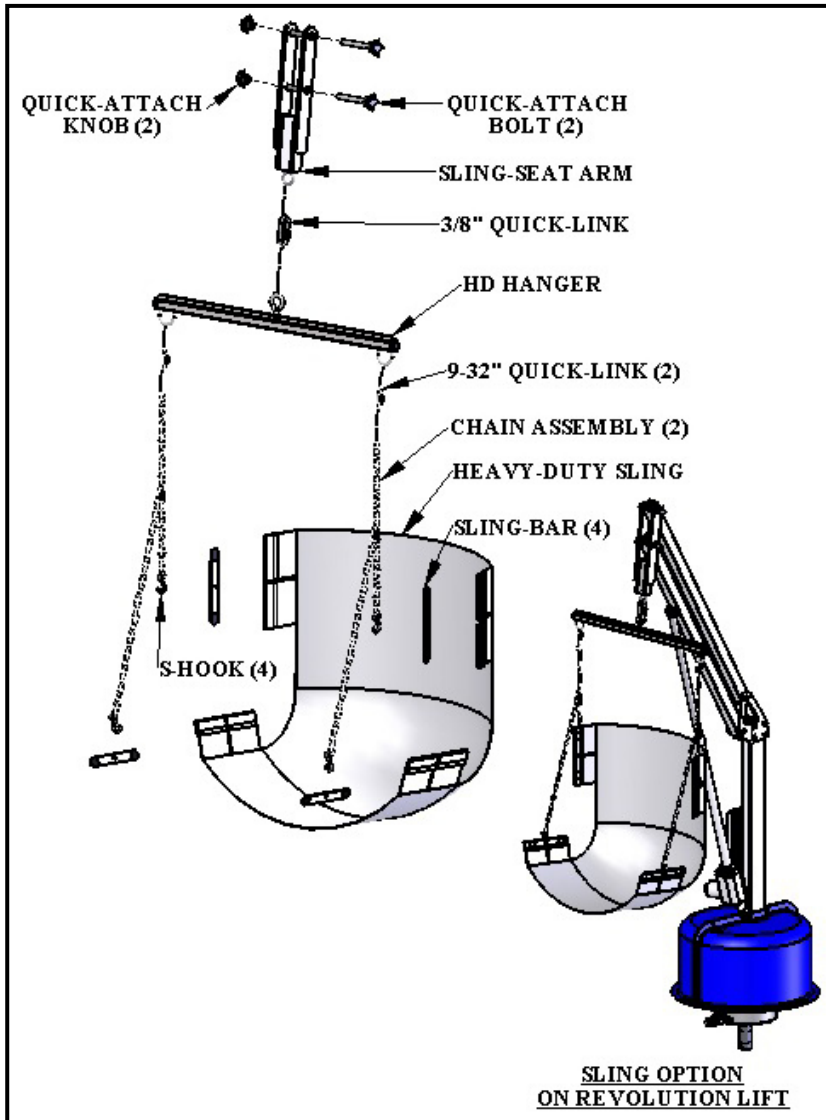
- WARNING -

IMPORTANT SAFETY INSTRUCTIONS

- 1. READ AND FOLLOW ALL INSTRUCTIONS. LIFT SAFETY CAN ONLY BE ENSURED IF THE LIFT IS INSTALLED AND OPERATED PROPERLY – ACCORDING TO THESE INSTRUCTIONS.**
- 2. TO REDUCE THE RISK OF INJURY, DO NOT PERMIT CHILDREN TO USE THIS PRODUCT UNLESS THEY ARE CLOSELY SUPERVISED AT ALL TIMES.**
- 3. DO NOT PERMIT CHILDREN TO PLAY ON OR AROUND THIS PRODUCT.**
- 4. NEVER APPLY DIRECT WATER PRESSURE TO THE ELECTRONIC COMPONENTS.**
- 5. SAVE A COPY OF THESE INSTRUCTIONS IN A SAFE AND EASILY ACCESSIBLE PLACE.**

AQUA CREEK PRODUCTS
9889 GARRYMORE LANE
MISSOULA, MT 59808
1-888-687-3552
FAX: 406-549-2602

SLING ATTACHMENT OVERVIEW



MAIN COMPONENTS

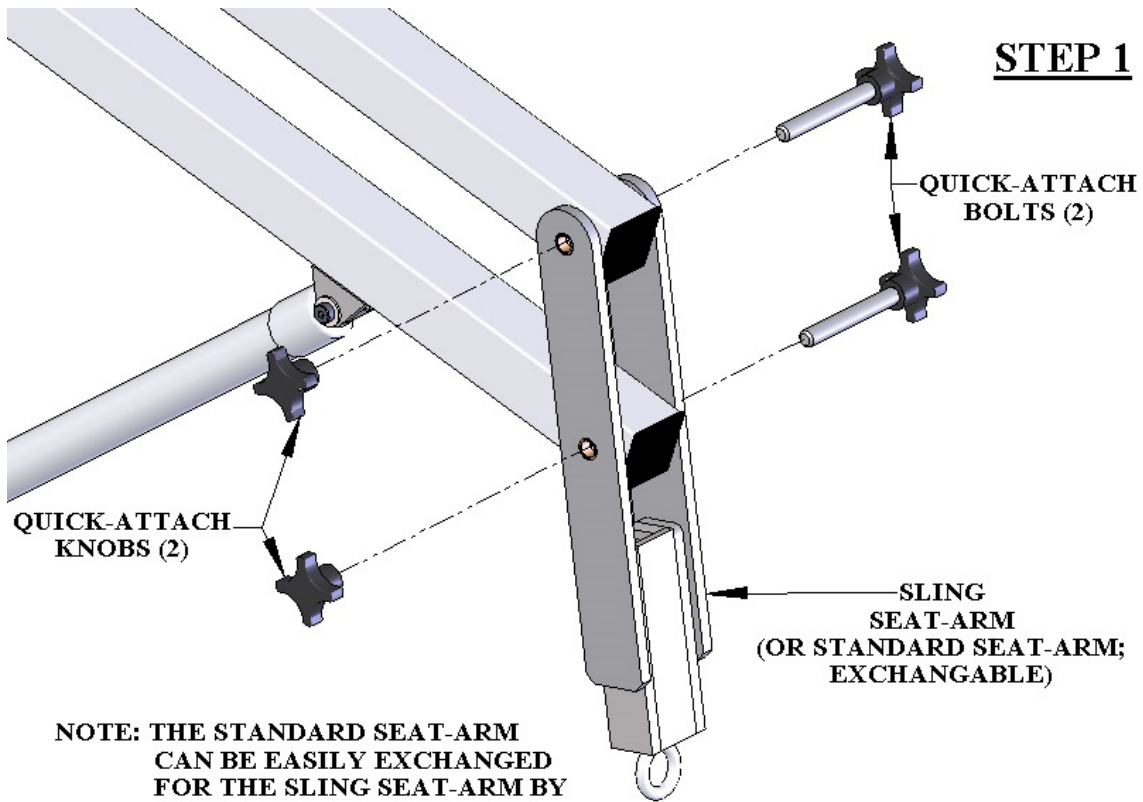
1. SLING-SEAT ARM (STEP 1)
2. QUICK-ATTACH BOLTS (STEP 1)
3. QUICK-ATTACH KNOBS (STEP 1)
4. HD HANGER (STEP 2)
5. CHAIN ASSEMBLY (STEP 2)
6. HEAVY-DUTY SLING (STEP 2)
7. SLING BAR (STEP 2)
8. S-HOOK (STEP 2)

ASSEMBLY OVERVIEW

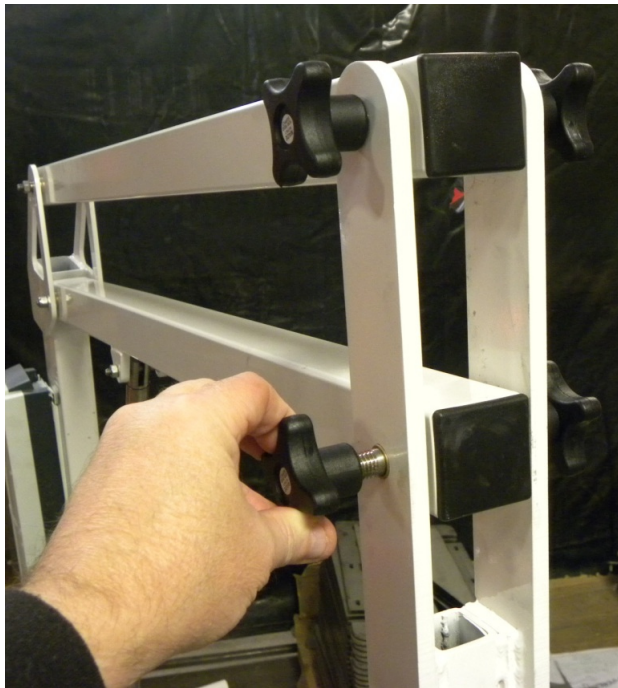
STEP 1: INSTALL SEAT ARM.

STEP 2: ASSEMBLE SLING, HANGER.

STEP 3: INSTALL SLING ASSEMBLY



NOTE: THE STANDARD SEAT-ARM CAN BE EASILY EXCHANGED FOR THE SLING SEAT-ARM BY USING THE QUICK-ATTACH BOLTS AND KNOBS. DO NOT OVERTIGHTEN!



STEP 1: INSTALL SLING SEAT ARM

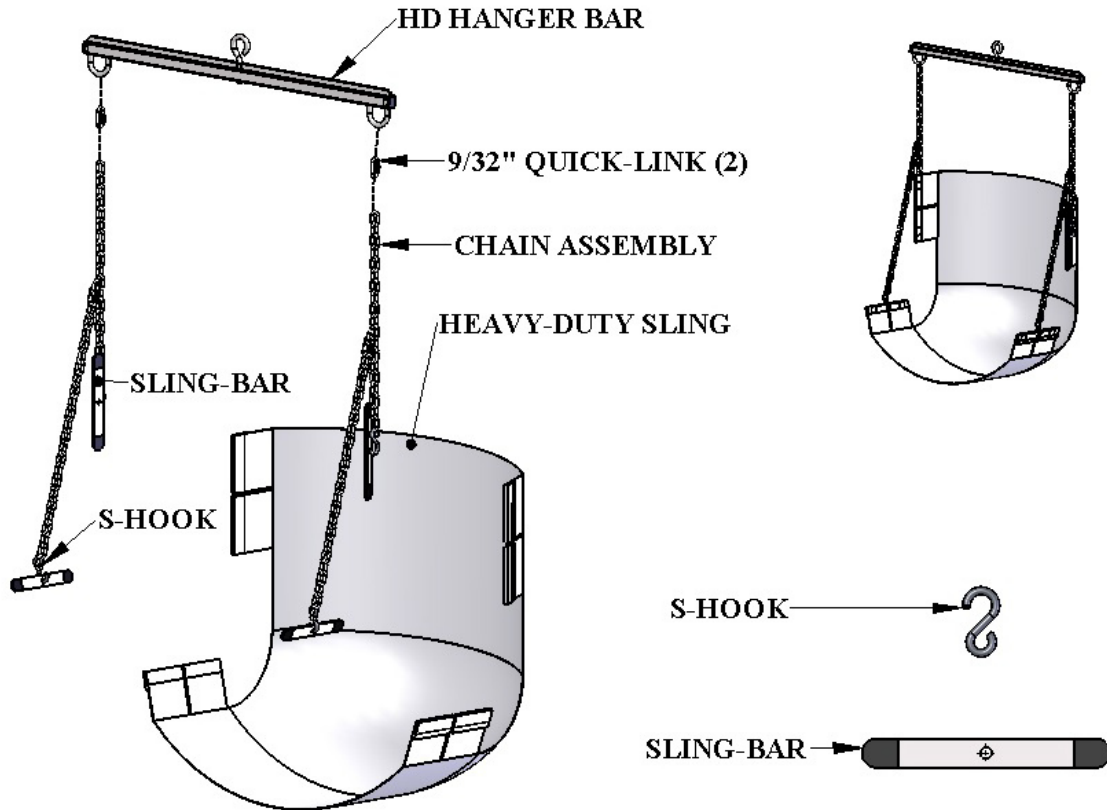
Locate the SLING SEAT ARM and the following hardware:

- (2) 3" QUICK-ATTACH BOLTS
- (2) QUICK ATTACH KNOBS

Install the SLING SEAT ARM at the ends of the CONTROL ARM and LIFTING ARM as shown in the figure above. Tighten the QUICK- KNOBS until snug as shown in photo to the left. **DO NOT OVER TIGHTEN!**

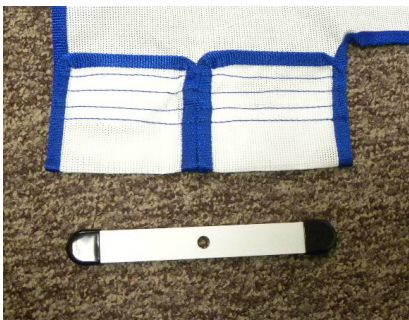
NOTE: FOR APPLICATIONS THAT UTILIZE MULTIPLE SEAT ARMS (SUCH AS FOR A STANDARD OR SPA SEAT-ARM AND THE SLING) USE THIS STEP TO REMOVE AND REPLACE THE SLING SEAT ARM.

STEP 2

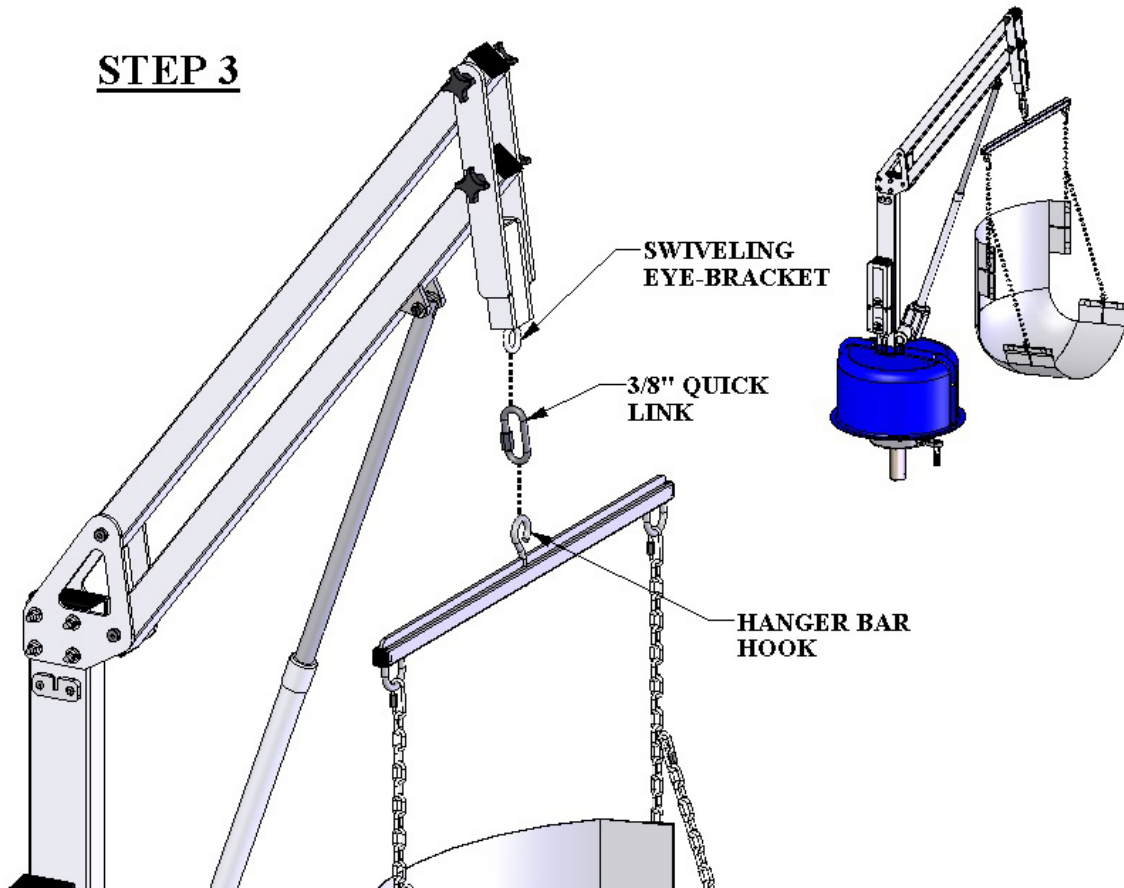


STEP 2: ASSEMBLE SLING

The sling assembly will need to be put together and adjusted before it can be hung from the seat arm. To do this, find the SLING, CHAIN-SETS, SLING-BARS and S-HOOKS. Install the four (4) SLING-BARS into the sling-bar pockets in the sling. The hole in the bar will be visible in the middle of the pocket. Attach an S-HOOK to each SLING-BAR at the center hole, and the other end of the S-HOOK to the end of a chain as shown above. The Sling will hang like a chair, as shown above-right, when installed properly. Alternatively, the length of each side may be adjusted to give more of a “reclining” posture.

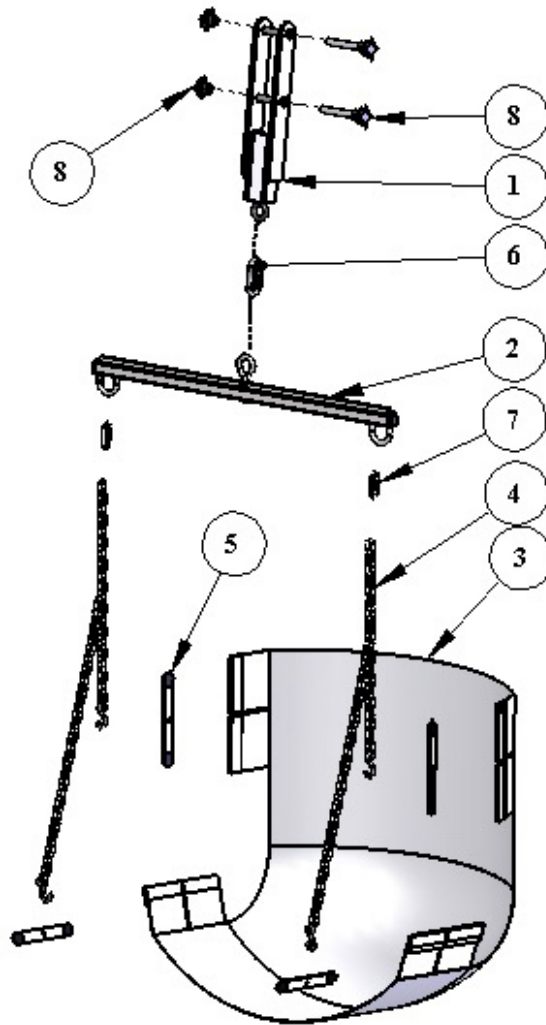


STEP 3



STEP 3: INSTALL THE SLING ASSEMBLY

Now hook 3/8" quick-link onto the swiveling eye-bracket (at the end of the sling seat-arm) as shown above, and attach the hanger-bar hook to the 3/8" quick-link. The chains can be shortened or lengthened until the sling is at the desired height. The sling should be facing away from the main assembly.



PARTS LIST:

ITEM NO.	QTY.	PART NUMBER	DESCRIPTION
1	1	REV-700S-40	SLING CHAIR ARM ASSY, REVOLUTION
2	1	F-030EZHB	HANGER BAR, 500 LB CAPACITY
3	1	P-037XXLS	SLING, PVC MESH, EXTRA LARGE
4	1	F-031EZCH	CHAIN SET, STANDARD
5	4	F-032EZB	SLING BARS ONLY, SET OF 4
6	1	QUICK LINK, 3/8"	QUICK LINK, 3/8" SS
7	2	QUICK LINK, 9/32 SS	QUICK LINK, 9/32" SS
8	2	F-QAB	BOLT, QUICK ATTACH

NOTE: SEE REVOLUTION USERS' MANUAL FOR MAIN PART NUMBERS

Aqua Creek Products, LLC - Limited 1 Year Warranty:

Sling Assembly

(Aqua Creek Product Number: F-706RLSS)

Aqua Creek Products Wheelchair Attachments have a **Limited 1-year Warranty**, not including wear components. Aqua Creek Products, LLC (a.k.a. Aqua Creek) warrants to the original end user that all non-wear components when properly assembled in accordance with assembly and installation instructions, and properly used and maintained, shall be free from defects in material and workmanship for a period of **one (1) year** from the date of original purchase, provided that Aqua Creek receives prompt notice in writing of any defect or failure and satisfactory proof thereof.

This warranty specifically excludes reimbursement for labor to remove, repair, or install the product and any freight charges. These warranties do not cover any damages due to accident, misuse, abuse, negligence or failure to properly maintain any products, or normal wear and tear from day to day operations. In the event that any products are altered, repaired, or improperly installed or improperly used by anyone without the prior written approval by Aqua Creek, all warranties are void. **IMPORTANT: AMOUNT OF WEIGHT PLACED ON PRODUCT SHALL NOT EXCEED ITS RATED CAPACITY.** It is the responsibility of the product owner to verify the weight of the patron for warranty claim purposes and to ensure that the product is not overloaded. Non-payment for product to Aqua Creek may void warranty

Excluded wear components include but are not limited to; safety straps and buckles as well as other components that do wear with normal daily use.

To initiate a warranty claim, the owner of an Aqua Creek product must provide the place of purchase, in writing, with a full description of the product, its serial number, the dates of purchase and installation, and the exact nature of the defect. Within thirty (30) days after receipt of a written warranty claim by Aqua Creek, and barring any unforeseen delays, the place of purchase will be notified of Aqua Creek's decision regarding the claim.

If requested by Aqua Creek, any defective product must be returned, freight prepaid by customer, to Aqua Creek's designated factory location or duly appointed distributor for inspection and/or repair. Aqua Creek will, at its option, repair or replace the failed or defective item, and deliver the repaired product or replacement to the customer. All freight charges are the responsibility of the customer. Products returned to Aqua Creek for which Aqua Creek provides replacement under this limited warranty shall become the property of Aqua Creek. A new warranty period shall **NOT** be established for the repaired or replaced products. Such products shall remain under warranty only for the remainder of the original warranty period on the original products purchased.

This written limited warranty constitutes the final, complete and exclusive statement of warranty terms. No person or organization is authorized to make any other specific or implied warranties or representations on behalf of Aqua Creek.

THE WARRANTIES SET FORTH HEREIN ARE IN LIEU OF ALL OTHER WARRANTIES, EXPRESSED OR IMPLIED, WHICH ARE HEREBY DISCLAIMED AND EXCLUDED, INCLUDING WITHOUT LIMITATION ANY WARRANTY OF MERCHANTABILITY OR FITNESS FOR A PARTICULAR PURPOSE OR USE.

THE SOLE AND EXCLUSIVE REMEDIES FOR BREACH OF ANY AND ALL WARRANTIES WITH RESPECT TO THE PRODUCTS SHALL BE LIMITED TO REPAIR OR REPLACEMENT AT AQUA CREEK'S DESIGNATED FACTORY LOCATION, OR DULY APPOINTED DISTRIBUTOR, OR IN PLACE AT AQUA CREEK'S OPTION. IN NO EVENT SHALL AQUA CREEK'S LIABILITY EXCEED THE ENTIRE AMOUNT PAID TO AQUA CREEK BY THE ORIGINAL PURCHASER FOR THE FAILED OR DEFECTIVE PRODUCT.

IN NO EVENT SHALL AQUA CREEK PRODUCTS, LLC BE LIABLE FOR ANY INCIDENTAL, CONSEQUENTIAL, SPECIAL, INDIRECT, PUNITIVE OR EXEMPLARY DAMAGES OR LOST PROFITS FROM ANY BREACH OF THIS LIMITED WARRANTY OR OTHERWISE.

THIS WARRANTY GIVES YOU SPECIFIC LEGAL RIGHTS AND YOU MAY ALSO HAVE OTHER RIGHTS, WHICH MAY VARY FROM STATE TO STATE. SOME STATES DO NOT ALLOW THE EXCLUSION OR LIMITATION OF INCIDENTAL, SPECIAL OR CONSEQUENTIAL DAMAGES, SO SOME OF THE ABOVE LIMITATIONS OR EXCLUSIONS MAY NOT APPLY TO YOU.

Aqua Creek Products, LLC
9889 Garrymore Lane
Missoula, MT 59808
Toll Free: (888) 687-3552
Local/Intnl: (406) 549-0769
www.aquacreek.com